

THC-B120-MPIRL 2 MP PIR Bullet Camera



Key Features

- 2 MP high-performance CMOS
- 1920 × 1080 resolution
- 2.8 mm, 3.6 mm fixed lens
- PIR detection, visual alarm
- Day/Night switch
- EXIR 2.0, smart IR, up to 20 m IR distance
- IP66

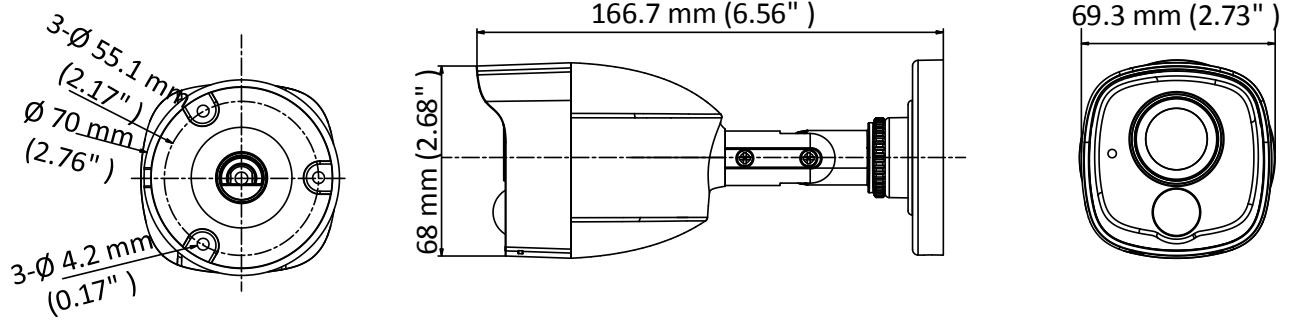
Specifications

Camera	
Image Sensor	2 MP CMOS image sensor
Signal System	PAL/NTSC
Resolution	1920 (H) × 1080 (V)
Video Frame Rate	PAL:1080p@25fps NTSC: 1080p@30fps
Min. Illumination	Color: 0.01 Lux@(F1.2, AGC ON), 0 Lux with IR
Shutter Time	1/25 (1/30) s to 1/50,000 s
Lens	2.8 mm, 3.6 mm
Horizontal Field of View	106.4° (2.8 mm), 81.3° (3.6 mm)
Lens Mount	M12
Day & Night	IR cut filter
Angle Adjustment	Pan: 0° to 360°, Tilt: 0° to 180°, Rotation: 0° to 360°
Synchronization	Internal synchronization
Menu	
White Light	Alarm/Off
AGC	High/Medium/Low
Day/Night Mode	Auto/Color/BW (Black and White)
BLC	Yes
DWDR	Yes
Language	English
Functions	Brightness, Contrast, Sharpness, Saturation, DNR, Mirror
Interface	
Video Output	1 HD analog output
General	
Operating Conditions	-40 °C to 60 °C (-40 °F to 140 °F), Humidity: 90% or less (non-condensation)
Power Supply	12 VDC ± 25%
Power Consumption	Max. 3.6 W
Protection Level	IP66
Material	Metal
IR Range	Up to 20 m
Dimensions	166.7 mm × 68 mm × 69.3 mm (6.56" × 2.68" × 2.73")
Weight	Approx. 296 g (6.5 lb.)

Order Model

THC-B120-MPIRL

Dimension



Accessories



HIA-J101
Junction Box

