



8MP WDR Starlight IR Bullet Camera



UIPC2328SBR5-DPZ

KEY FEATURES

Optics

- Day/night functionality
- Optical glass window with higher light transmittance
- IR anti-reflection window to increase the infrared transmittance
- Smart IR, up to 50m (164 ft) IR distance
- Up to 120 dB Optical WDR(Wide Dynamic Range)
- 2D/3D DNR(Digital Noise Reduction)

**50M IR
SMART IR**



Compression

- Ultra 265, H.265, H.264, MJPEG
- Embedded smart algorithm
- Triple streams
- ROI (Region of Interest)
- 9:16 corridor mode

Structure

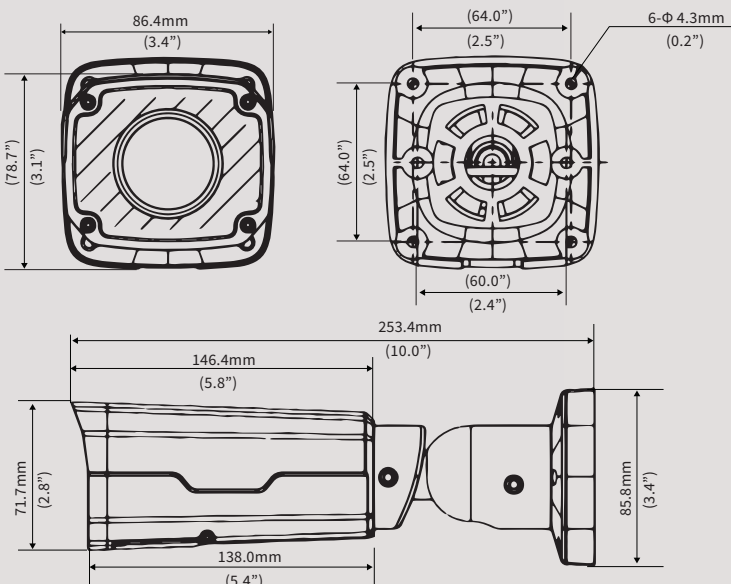
- Support PoE power supply
- Wide temperature range: -35°C to 60°C (-31°F to 140°F)
- Wide voltage range of $\pm 25\%$
- IP67

Network

- ONVIF Conformance



DIMENSIONS



BRACKETS



Pole Mount Bracket
Code: **UTR-UP06-IN**



Junction Box
Code: **UTR-JB07-IN**

**“Delivers crystal
clear images!”**



SPECIFICATION



Camera	UIPC2328SBR5-DPZ		
Sensor	1/2", progressive scan, 8.0 megapixel, CMOS		
Lens	2.8~12mm, AF automatic focusing and motorized zoom lens		
Angle of view(H)	114.8° (wide) ~47.3° (tele)		
Shutter	Auto/Manual, 1/6~1/100000 s		
Min. Illumination	Colour: 0.003 Lux (F1.5, AGC ON) 0 Lux with IR on		
Day/Night	IR-cut filter with auto switch (ICR)		
Digital Noise Reduction	2D/3D DNR		
S/N	>52dB		
IR Range	Up to 50m (164 ft) IR range		
Defog	Digital Defog		
WDR	120dB		
Video			
Video Compression	Ultra 265, H.265, H.264, MJPEG		
H.264 code profile	Baseline profile, Main Profile, High Profile		
Frame Rate	Main Stream: 8MP (3840*2160): Max. 15 fps;5MP(2592*1944) : Max. 30fps; 5MP(2944*1656) : Max. 30fps; 4MP(2560*1440) : Max. 30fps;2MP (1920*1080): Max. 30fps Sub Stream: 2MP (1920*1080): Max. 30fps Third Stream: D1 (720*576): Max. 30 fps		
9:16 Corridor Mode	Supported		
HLC	Supported		
BLC	Supported		
OSD	Up to 8 OSDs		
Privacy Mask	Up to 8 areas		
ROI	Up to 8 areas		
Motion Detection	Up to 4 areas		
Smart			
Behavior Detection	Intrusion, cross line, motion detection		
Exception Detection	Audio detection		
Intelligent Identification	Face detection, Defocus ,Scene Change		
Statistical Analysis	People counting		
General Function	Watermark, IP Address Filtering, Tampering Alarm, Alarm input, Alarm output, Access Policy, ARP Protection, RTSP Authentication, User Authentication		
Audio			
Audio Compression	G.711		
Two-way audio	Supported		
Suppression	Supported		
Sampling Rate	8 KHZ		
Storage			
Edge Storage	Micro SD, up to 128 GB		
Network Storage	ANR		
Network			
Protocols	IPv4, IGMP, ICMP, ARP, TCP, UDP, DHCP, PPPoE, RTP, RTSP, RTCP, DNS, DDNS, NTP, FTP, UPnP, HTTP, HTTPS, SMTP, 802.1x, SNMP		
Compatible Integration	ONVIF(Profile S, Profile G), API		
Interface			
Audio I/O	Audio cable	Input: impedance 35 kΩ; amplitude 2 V [p-p]	Output: impedance 600 Ω; amplitude 2 V [p-p]
Alarm I/O	1 / 1		
Network	1 RJ45 10M/100M Base-TX Ethernet		
Video Output	1 BNC, impedance 75 Ω; amplitude 1 V [p-p]		
General			
Power	12 V DC±25%, PoE (IEEE802.3 af) Power consumption: Max 10W		
Dimensions (L × W × H)	146.3 ×86 ×71.7 mm (57.6" × 3.4" × 2.8")		
Weight	0.58kg (1.28lb)		
Working Environment	-35°C ~ +60°C (-31°F ~ 140°F), Humidity :10%~ 90% RH(non-condensing)		
Ingress Protection	IP67		



ULTRA STARLIGHT

"Unbeatable Lowlight Performance – stays in colour"

