



8MP - 4K Fixed Lens External Turret

UIPC3618SR3-DPF28M

30M IR



KEY FEATURES

Optics

- Day/night functionality
- Smart IR , up to 30 m (98 ft) IR distance
- Optical glass window with higher light transmittance
- IR anti-reflection window to increase the infrared transmittance
- 2D/3D DNR (Digital Noise Reduction)
- Day/night functionality
- Up to 120 dB WDR (Wide Dynamic Range)

Compression

- Ultra 265, H.264, MJPEG
- Embedded smart algorithm
- Triple streams
- 9:16 corridor format

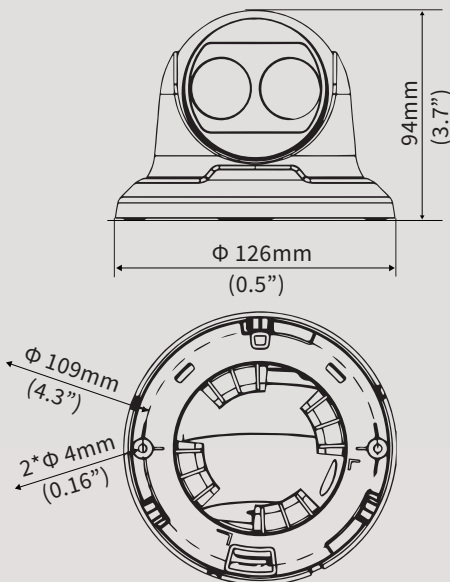
Network

- ONVIF Conformance

Structure

- Wide temperature range: -30°C to 60°C (-22°F to 140°F)
- Wide voltage range of $\pm 25\%$
- IP67
- 3-Axis

DIMENSIONS



BRACKETS



Pole Mount Bracket
Code: [UTR-UP06-IN](#)



Wall mount + Junction box
Code: [UTR-JB07/WM03- A-IN](#)



Junction Box
Code: [UTR-JB03-C-IN](#)



SPECIFICATION



Camera	UIPC3618SR3-DPF28M				
Sensor	1/2.5", 8.0 megapixel, progressive scan, CMOS				
Lens	2.8mm@F2.0				
DORI Distance	Lens	Detect(m)	Observe(m)	Recognize(m)	Identify(m)
	2.8mm	50.4	20.2	10.1	5.0
Angle of view(H)	118.1°				
Angle of View (V)	64.0°				
Angle of View (O)	153.5°				
Adjustment Range	Pan: 0°~360° Tilt: 0° ~ 90° Rotation: 0° ~ 360°				
Shutter	Auto/Manual, 1~1/100000 s				
Minimum Illumination	Colour: 0.001Lux (F2.0, AGC ON)		0 Lux with IR		
Day/Night	IR-cut filter with auto switch (ICR)				
Digital noise reduction	2D/3D DNR				
S/N	>52 dB				
IR Range	Up to 30m (98 ft) IR range				
Defog	Digital Defog				
WDR	120dB				
Video					
Video Compression	Ultra 265, H.264, MJPEG				
H.264 code profile	Baseline profile, Main Profile, High Profile				
Frame Rate	Main Stream:8MP (3840*2160): Max. 20 fps,				
	Sub Stream:1080P (1920*1080): Max. 30 fps;				
	Third Stream:D1(720*576) : Max. 30 fps				
HLC	Supported				
BLC	Supported				
9:16 Corridor Mode	Supported				
OSD	Up to 8 OSDs				
Privacy Mask	Up to 8 areas				
ROI	Up to 8 areas				
Motion Detection	Up to 4 areas				

SPECIFICATION

Camera	UIPC3618SR3-DPF28M	
Smart		
Behavior Detection	Intrusion, cross line, motion detection	
Intrusion	Enter and loiter in a pre-defined virtual region	
Cross line	Cross a pre-defined virtual line	
Motion detection	Moving within a pre-defined virtual region	
Recognition	Face detection	
Intelligent Identification	Defocus, Scene Change	
Statistical Analysis	People counting	
General Function	Watermark, IP Address Filtering, Tampering Alarm, Access Policy, ARP Protection, RTSP Authentication, User Authentication	
Network		
Protocols	IPv4,IGMP,ICMP,ARP,TCP,UDP,DHCP, RTP,RTSP,RTCP,DNS,DDNS,NTP,FTP,UPnP,HTTP,HTTPS,SMTP,	
	SSL Compatible Integration ONVIF(Profile S, Profile T), API Interface Network 10M/100M Base-TX Ethernet	
General		
Power	12 V DC±25%, PoE (IEEE802.3 af)	
	Power consumption: Max 5.5W	
Dimensions (Ø x H)	Φ126 x 94 mm (Ø5.0" x 3.7")	
Weight	0.45kg (0.99lb)	
Operating Conditions	-30°C~ 60°C(-22°F ~ 140°F), Humidity ≤ 95% RH(non-condensing)	
Ingress Protection	IP67	

“We challenge you to find a more robust, reliable & clearer image 8MP metal turret camera!”

