



2MP 33x IR NETWORK PTZ

UIPC6322SR-X33DUP-C

150M IR
SMART IR

KEY FEATURES

Optics

- 33X Optical Zoom
- Starlight illumination
- Fifth-generation infrared technology, more than 150m (492ft) IR distance
- IR anti-reflection window to increase the infrared transmittance
- Optical glass window with higher light transmittance
- Smart IR
- EIS (Electronic Image Stabilization)

Compression

- Ultra 265, H.265, H.264, MJPEG
- Embedded smart algorithm
- Triple streams
- Customized OSD

Structure

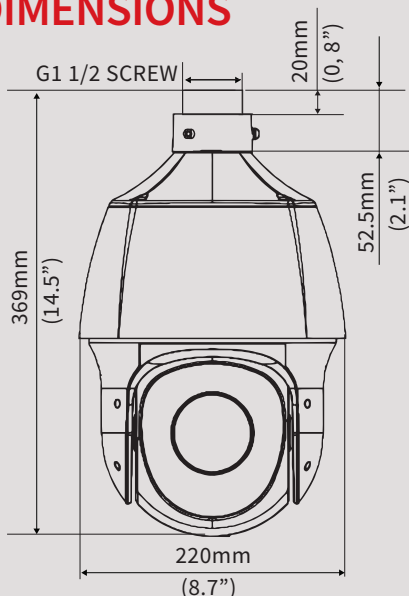
- Intelligent temperature control technology
- More effective heat dissipation system
- 6 KV surge protection designed for network interface
- IP66

Network

- ONVIF Conformance



DIMENSIONS



PTZ BRACKETS



SPECIFICATION



Camera	UIPC6322SR-X33DUP-C				
Sensor	1/2.8" progressive scan, 2.0 megapixel, CMOS				
Lens	4.5~ 148.5 mm, AF automatic focusing and motorized zoom lens				
Digital Zoom	16				
Optical Zoom	33				
DORI Distance	Lens	Detect(m)	Observe(m)	Recognize(m)	Identify(m)
Angle of View (V)	4.5mm	69.8	27.9	14.0	7.0
Angle of View (O)	148.5mm	2304.3	921.7	460.9	230.4
Angle of View (H)	76.8°~ 2.1°				
Angle of View (V)	38.4° ~1.2°				
Angle of View (O)	94.46° ~2.48°				
Adjustment angle	Pan: 0°~360°	Tilt: 0°~90°	Rotate: 0°~360°		
Shutter	Auto/Manual, shutter time: 1 s ~ 1/100000 s				
Minimum Illumination	Colour: 0.001 lux (F1.5,AGC ON)				
	0 lux with IR				
Iris	F1.5~F4.0				
Day/Night	IR-cut filter with auto switch (ICR)				
Digital noise reduction	2D/3D DNR				
S/N	>55 dB				
IR Range	UP to 150m (492ft)				
Defog	Digital Defog				
WDR	120 db				
Video					
Video Compression	Ultra 265,H.265, H.264, MJPEG				
H.264 code profile	Baseline profile, Main Profile, High Profile				
Frame Rate	Main Stream:2MP (1920×1080):Max. 30 fps;				
	Sub Stream:2MP (1920×1080):Max. 30 fps;				
	Third Stream: D1 (720×576): Max. 30 fps				
HLC	Supported				
BLC	Supported				
EIS	Supported				
OSD	Up to 8 OSDs				
Privacy Mask	Up to 24 areas				
ROI	Up to 8 areas				
Motion Detection	Up to 4 areas				
Smart					
Behavior Detection	Intrusion, cross line, motion detection				
Intrusion	Enter and loiter in a pre-defined virtual region				
cross line	Cross a pre-defined virtual line				
motion detection	Moving within a pre-defined virtual region				
Recognition	Face detection, Audio detection				
Statistical Analysis	People counting				
General Function	Watermark, IP Address Filtering, Tampering Alarm, Alarm input, Alarm output, Access Policy,				
	ARP Protection, RTSP Authentication, User Authentication				

SPECIFICATION

Audio	
Audio Compression	G.711
Two-way Audio	Supported
Suppression	Supported
Sampling Rate	8 KHZ
Storage	
Edge Storage	Micro SD, up to 256 GB
Network Storage	ANR
Network	
Protocols	IPv4, IGMP, ICMP, ARP, TCP, UDP, DHCP, PPPoE, RTP, RTSP, RTCP, DNS, DDNS, NTP, FTP, UPnP, HTTP, HTTPS, SMTP, 802.1x, SNMP
Compatible Integration	ONVIF(Profile S, Profile G), API
Pan & Tilt	
Pan Range	360°
Pan Speed	0.1°/s ~ 300°/s
	Preset speed: 200°/s
Tilt Range	-15° ~ +90° (auto reverse)
Tilt Speed	0.1° ~ 80°/s
	Preset speed: 80°/s
Number of Presets	1024
Patrol	Preset patrol, route patrol, recorded patrol
Home Position	Supported
Interface	
Audio I/O1	Input: impedance 1 kΩ±10%; amplitude 2V [p-p]
	1 Output: impedance 600 Ω; amplitude 2 V [p-p]
Alarm I/O	2/ 1
Network	1 RJ45 10M/100M Base-TX Ethernet
General	
Power	DC 12V±25%, PoE (PSE Required)
	Power consumption: 16~30 W
Dimensions (Ø x H)	Φ215mm×344mm (Φ8.5" x13.5")
Weight	3kg (6.6lb)
Working Environment	-40°C ~ +65°C (-40°F ~ 149°F), Humidity:10%~90% RH (non-condensing)
Ingress Protection	IP66
Reset Button	Supported



**“33x IR PTZ
exceptional performance
day & night”**