



2MP - IR Mini PTZ Dome Camera

UIPC6412LR3-X5P

**30M IR
SMART IR**

KEY FEATURES

Optics

- Day/night functionality
- Smart IR, up to 30 m (98 ft) IR distance
- Optical glass window with higher light transmittance
- IR anti-reflection window to increase the infrared transmittance
- 2D/3D DNR (Digital Noise Reduction)

Compression

- Ultra 265, H.265, H.264, MJPEG
- Triple streams
- ROI (Region of Interest)

Structure

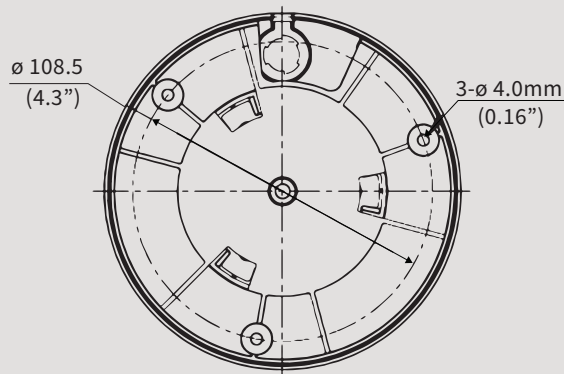
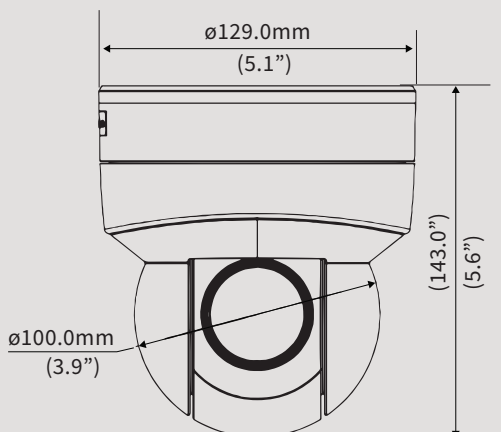
- Support PoE power supply
- Wide temperature range: -10°C to 50°C (14°F to 122°F)
- Wide voltage range of ±25%

Network

ONVIF Conformance



DIMENSIONS



“Delivers crystal clear images!”



SPECIFICATION



Camera	UIPC6412LR3-X5P				
Sensor	1/2.9" progressive scan, 2.0 megapixel, CMOS				
Lens	2.7~13.5mm, AF automatic focusing and motorized zoom lens				
DORI Distance	Lens	Detect(m)	Observe(m)	Recognize(m)	Identify(m)
	2.7mm	40.5	16.2	8.1	4.1
	13.5mm	202.5	81.0	40.5	20.3
Angle of View (H)	112.7°~ 28.1°				
Angle of View (V)	60.1° ~15.4°				
Angle of View (O)	146.5°~33.2°				
Adjustment angle	Pan: 0°~350°	Tilt: 0°~90°		Rotate: 0°~355°	
Shutter	Auto/Manual, shutter time: 1 s ~ 1/100000 s				
Minimum Illumination	Colour: 0.03 lux (F1.2, AGC ON)				
	0 lux with IR				
Iris	F1.2				
Day/Night	IR-cut filter with auto switch (ICR)				
Digital noise reduction	2D/3D DNR				
S/N	>55 dB				
IR Range	UP to 30m (98ft)				
WDR	DWDR				
Video					
Video Compression	Ultra 265, H.265, H.264, MJPEG				
H.264 code profile	Baseline profile, Main Profile				
Frame Rate	Main Stream: 1080P (1920×1080): Max. 30 fps;				
	Sub Stream: 720P (1920×1080): Max. 25 fps;				
	Third Stream: CIF (352×288): Max. 25 fps				
HLC	Supported				
BLC	Supported				
OSD	Up to 4 OSDs				
Privacy Mask	Up to 8 areas				
ROI	Up to 2 areas				
Motion Detection	Up to 4 areas				
Storage					
Edge Storage	Micro SD, up to 256 GB				
Network Storage	ANR				
Network					
Protocols	IPv4, IGMP, ICMP, ARP, TCP, UDP, DHCP, RTP, RTSP, RTCP, DNS, DDNS, NTP, FTP, UPnP, HTTP, HTTPS, SMTP, SSL				
Compatible Integration	ONVIF(Profile S, Profile G), API				
Pan & Tilt					
Pan Range	350°				
Pan Speed	0.1°/s ~ 60°/s				
	Preset speed: 60°/s				
Tilt Range	0° ~ 90° (auto reverse)				
Tilt Speed	0.1° ~ 50°/s				
	Preset speed: 50°/s				
Number of Presets	1024				
Home Position	Supported				
Interface					
Network	1 RJ45 10M/100M Base-TX Ethernet				
Built-in Mic	Supported				
General					
Power	DC 12V±25%, PoE (IEEE802.3 af)				
	Power consumption: Max 12W				
Dimensions (Ø x H)	Φ129mm×143mm(Φ5.07" x5.63")				
Weight	3kg(6.6lb)				
Working Environment	-10°C ~ +50°C (14°F ~ 122°F), Humidity:10%~90% RH(non-condensing)				
Reset Button	Supported				