

The UMD300 series are 1/3" internal ultra mini dome cameras with a 3.6mm lens available in a black or white housing.

Key Features

- 1/3" colour CCD
- Internal micro dome camera
- Ø57mm dome cover
- 3.6mm lens
- 620TVL
- Minimum illumination 0.03 Lux
- Digital Noise Reduction (DNR)
- DC12V only
- Black or white housing options

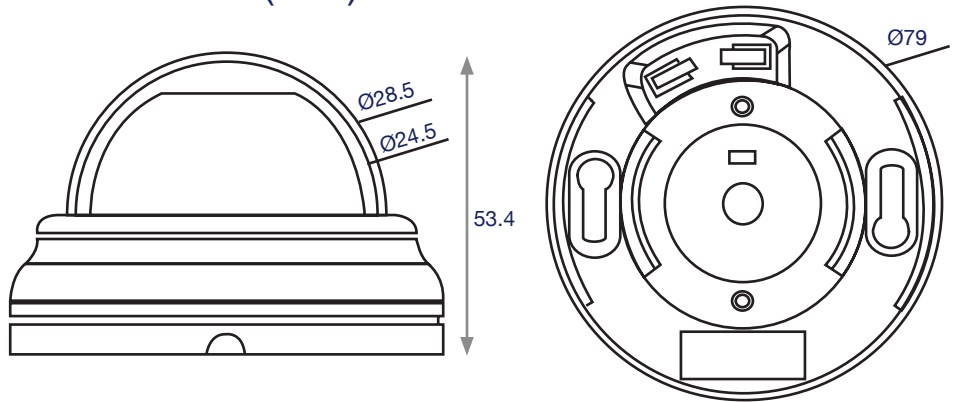


UMD300B



UMD300W

Dimensions (mm)



Specification

Model Number	UMD300B	UMD300W
Image Sensor	1/3" Colour CCD	
Total Pixels	PAL : 795 (H) x 596 (V)	
Effective Pixels	PAL : 752 (H) x 582 (V)	
Scanning System	2:1 Interlaced	
Lens	3.6mm	
Scanning Frequency	H: 15.625Hz, V: 50Hz (PAL)	
S/N Ratio	More than 50dB	
Horizontal Resolution	620TVL	
Video Output Level	1.0 Vp-p (75Ω, Composite)	
Minimum Illumination	0.05Lux (50IRE @ F1.2)	
Electronic Shutter Speed	Auto - PAL: 1/50 Sec ~ 1/100,000 Sec	
AGC	Middle	
White Balance	ATW (Auto Tracking White Balance)	
Digital Noise Reduction	On	
Day & Night	Colour Only	
Supplied Voltage	DC12V ±10%	
Power Consumption	Max. 1.0W (80mA)	
Dimensions	Ø79 x 53.4 mm	
Weight	93g	

Genie Access reserves the right to change specifications without notice. Please contact your representative to confirm current specifications.