



2MP - H.265 Starlight Zoom Camera



UIPC262ER9

**100M IR
SMART IR**

KEY FEATURES

- Starlight illumination
- 4X Optical Zoom & Auto Focus (-DUZ Model)
- 10X Optical Zoom & Auto Focus (-X10DU Model)
- Up to 120 dB WDR(Wide Dynamic Range)
- Smart IR, up to up to 100m (328 ft) IR distance
- Optical glass window with higher light transmittance
- IR anti-reflection window to increase the infrared transmittance
- Day/night functionality

Compression

- H.265, H.264, MJPEG
- Embedded smart algorithm
- Triple streams
- ROI (Region of Interest)
- 9:16 corridor mode
- Customized OSD

Structure

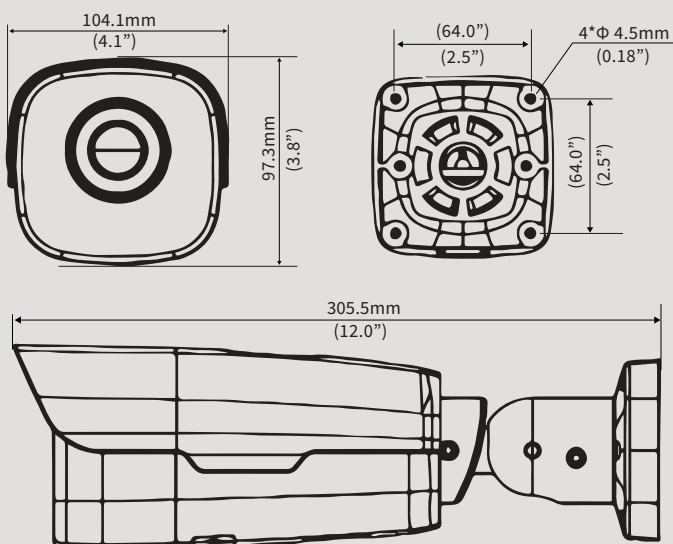
- Support PoE power supply
- Wide temperature range: -40°C to 60°C (-40°F to 140°F)
- Wide voltage range of $\pm 25\%$
- IP67

Network

- ONVIF Conformance



DIMENSIONS



BRACKETS



Pole Mount Bracket
Code: [UTR-UP06-IN](#)



Junction Box
Code: [UTR-JB07-IN](#)

**“Delivers crystal
clear images!”**



SPECIFICATION

Camera	UIPC262ER9-DUZ	UIPC262ER9-X10DU
Sensor	1/2.8", 2 megapixel, progressive scan CMOS	
Lens	2.8~12mm@F1.6; P-Iris	4.7 ~ 47mm@F1.6; P-Iris
Angle of view(H)	105°(wide)~ 33°(tele)	65°(wide) ~ 9°(tele)
Zoom focus	4X Optical Zoom / Auto Focus	10X Optical Zoom / Auto Focus
Shutter	Auto/Manual, 1/10~1/100,000s	
Minimum Illumination	Colour: 0.002 Lux (F1.6, AGC ON) 0 Lux with IR	
IR Range	Smart-IR ,up to 100m (328ft) IR range	
Day/Night	IR-cut filter with auto switch (ICR)	
S/N	>52dB	
WDR	120dB	
Video		
Max. Resolution	1920× 1080	
Video Compression	H.265, H.264, MJPEG	
Frame Rate	1080P (1920*1080): Max. 30 fps; 720P (1280*720): Max. 30 fps; D1 (720×576): Max. 30 fps	
Video Streaming	Triple	
9:16 Corridor Mode	Supported	
ROI	Supported	
HLC	Supported	
Evaluative Metering	Supported	
OSD	Up to 8 OSDs	
Privacy Mask	Up to 8 areas	
Smart		
Behavior Detection	Intrusion, crossing line, motion detection	
Exception Detection	Auto detection	
Intelligent Identification	Face detection, Defocus, Scene Change	
Statistical Analysis	People counting	
Audio		
Audio Compression	G.711	
Two-way audio	Supported	
Storage		
Edge Storage	Micro SD, Up to 128 GB	
Network		
Protocols	L2TP, IPv4, IGMP, ICMP, ARP, TCP, UDP, DHCP, PPPoE, RTP, RTSP, RTCP, DNS, DDNS, NTP, FTP, UPnP, HTTP, HTTPS, SMTP, 802.1x	
Compatible Integration	ONVIF, API	
Interface		
Audio I/O	Audio cable 1 Input: impedance 35 kΩ; amplitude 2 V [p-p] 1 Output: impedance 600 Ω; amplitude 2 V [p-p]	
Alarm I/O	2 / 1	
Serial Port	1 RS485	
Network	10M/100M Base-TX Ethernet	
Video Output	1 BNC, impedance 75 Ω; amplitude 1 V [p-p]	
General		
Power	DC12V±25%, AC24V±25% or PoE (IEEE802.3 at) Power consumption: 13.7W	
Dimensions (L × W × H)	305.5 × 104.1 × 97.3mm (12.0" × 4.1" × 3.8")	
Material	Cast aluminum	
Weight	1.65 kg (3.6 lb)	
Working Environment	-40°C ~ +60°C (-40°F ~ 140°F), Humidity ≤ 95% RH(non-condensing)	
Ingress Protection	IP67	

“Make life easy & save hours on site with our autofocus IP range.”

