



5MP Starlight Autofocus IR Turret

VN IPVFD5-W
VN IPVFD5-B

Key Features

Optics

- Starlight illumination
- Day/night functionality
- Optical glass window with higher light transmittance
- IR anti-reflection window to increase the infrared transmittance
- Smart IR, up to 30m (98ft) IR distance
- 2D/3D DNR (Digital Noise Reduction)
- Built-in motorized lens for remote zoom

30M IR
SMART IR



Compression

- Ultra 265, H.264, MJPEG
- Triple streams
- 9:16 corridor mode

Structure

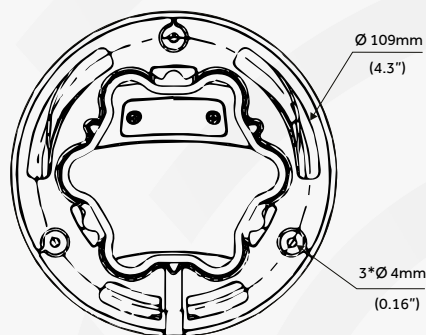
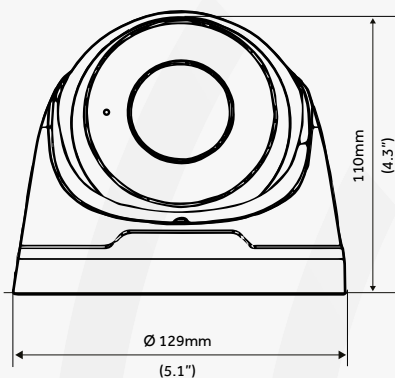
- Support PoE power supply
- Wide temperature range: -40°C ~ 60°C (-40°F ~ 140°F)
- Wide voltage range of $\pm 25\%$
- IP67 • 3-Axis

Network

- ONVIF Conformance



Dimensions



Brackets



Pole Mount Bracket
Code: [UTR-UP06-IN](#)
Requires [UTR-WM03-B-IN](#)



Junction Box
Code: [UTR-JB03-H-IN](#)



Junction Box
Code: [UTR-WM03-B-IN](#)

Camera	VN IPVFD5-W/B				
Sensor	1/2.7", 5.0 megapixel, progressive scan, CMOS				
Lens	2.7 ~ 13.5mm, AF automatic focusing and motorized zoom lens				
DORI Distance	Lens(mm)	Detect(m)	Observe(m)	Recognize(m)	Identify(m)
	2.7	60.8	24.3	12.2	6.1
	13.5	303.8	121.5	60.8	30.4
Angle of View (H)	93.38° ~ 28.56°				
Angle of View (V)	88° ~ 16.4°				
Angle of View (O)	121.4° ~ 33.7°				
Adjustment angle	Pan: 0° ~ 360°		Tilt: 0° ~ 90°		Rotate: 0° ~ 360°
Shutter	Auto/Manual, shutter time: 1 ~ 1/100000s				
Minimum Illumination	Colour: 0.002Lux (F1.2, AGC ON) 0 Lux with IR				
Day/Night	IR-cut filter with auto switch (ICR)				
Digital noise reduction	2D/3D DNR				
S/N	>52dB				
IR Range	Up to 30m (98 ft) IR range				
Defog	Digital Defog				
WDR	120dB				
Video					
Video Compression	Ultra 265, H.264, MJPEG				
H.264 code profile	Baseline profile, Main Profile, High Profile				
Frame Rate	Main Stream: 5MP (2592*1944), Max 20fps; 5MP (2592*1944), Max 25fps (WDR OFF); 4MP (2560*1440), Max 30fps;				
	3MP (2048*1536), Max 30fps; 2MP (1920*1080), Max 30fps;				
	Sub Stream: 2MP (1920*1080), Max 30fps;				
	Third Stream: D1 (720*576), Max 30fps				
9:16 Corridor Mode	Yes				
HLC	Yes				
BLC	Yes				
OSD	Up to 8 OSDs				
Privacy Mask	Up to 8 areas				
ROI	Up to 8 areas				
Motion Detection	Up to 4 areas				
Audio					
Audio Compression	G.711				
Suppression	Yes				
Sampling Rate	8KHZ				
Storage					
Edge Storage	Micro SD, up to 256GB				
Network Storage	ANR				
Network					
Protocols	IPv4, IGMP, ICMP, ARP, TCP, UDP, DHCP, PPPoE, RTP, RTSP, RTCP, DNS, DDNS, NTP, FTP, UPnP, HTTP, HTTPS, SMTP, 802.1x, SNMP, QoS				
Compatible Integration	ONVIF (Profile S, Profile G, Profile T), API				
Interface					
Built-in Mic	Yes				
Network	1 RJ45 10M/100M Base-TX Ethernet				
General					
Power	DC 12V±25%, PoE (IEEE 802.3af)				
	Power consumption: Max 8.16W				
Dimensions (Ø x H)	Ø129 x 110mm (Ø5.08" x 4.3")				
Weight	0.82kg (1.8lb)				
Working Environment	-40°C ~ 60°C (-40°F ~ 140°F), Humidity: 95% RH (non-condensing)				
Reset Button	Yes				
Ingress Protection	IP67				