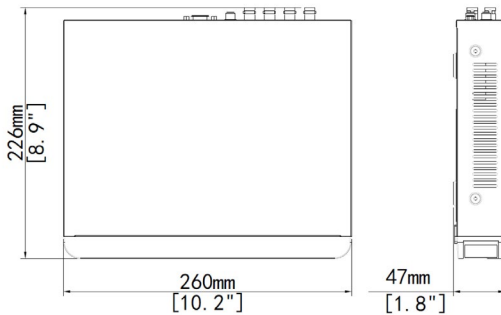


# NDAA Compliant 4/8/16 Channel Hybrid DVRs

VA-DVR0405MP, VA-DVR0805MP & VA-DVR1605MP



Vista's VA series of Hybrid DVRs are fully NDAA compliant, allowing you peace of mind in offering one, consistent range that satisfies requirements across both private business and public sector projects.

The VA Series 4, 8 & 16 channel hybrid digital video recorders support cameras up to 5MP across IP, AHD, TVI, CVBS and CVI technology.

The DVRs offer 4K monitor output as well as both audio and alarm input and output.

Integral to the recorders is Vista's range of client and mobile software - Vizion. Vizion Remote allows you to control PTZ cameras, view live and recorded footage, manage devices and event push notifications, all remotely.

Vizion Desktop is a PC Based viewing client for Windows & Mac OS systems, easy to deploy video management software, with features such as live view, playback, device management, recording schedule, alarm configuration, video wall, people counting, and e-map.

Accompanying the VA series of DVRs will be the VA series of cameras (coming soon).

To learn more about Vista's NDAA compliant video surveillance products please visit [www.norbain.com/brands/vista](http://www.norbain.com/brands/vista)

## KEY FEATURES

**NDAA compliant**

**Available in 4, 8 & 16 channels**

**HDA resolutions to 5MP max**

**4K output**

**Audio over TVI (TVI supported cameras only)**

**IP cameras to 5MP**

**Vista Vizion mobile and PC applications (FOC)**

**CVBS spot monitor - single/sequence**



TEL +44 (0) 118 912 5000



\* To scan the QR code, make sure your phone/device has a suitable reader. Most modern Android and iOS smartphone cameras will automatically scan the code and provide the product's URL link, which will open from the device's web browser.

## TECHNICAL SPECIFICATION

Model	VA-DVR0405MP	VA-DVR0805MP	VA-DVR1605MP
<b>VIDEO</b>			
Analogue Video Inputs	4 × BNC	8 × BNC	16 × BNC
Maximum IP Cameras	2	4	8
Total Analogue and IP Channels	6	12	24
Looping Inputs	No		
Video Input Type	AHD / TVI / CVI / CVBS		
Video Input Resolution	5MP@20fps; 4MP@30fps; 1080P@30fps; 720P@30fps (720P@60fps for 16-channel)		
Max Resolution per IP Camera	4MP	5MP	
Display Output	1 HDMI, 1 VGA		
Spot Output	1 CVBS main/spot/sequence		
Display Resolution	HDMI: 3840 × 2160/30Hz max; VGA: 1920 × 1080p/50Hz max, also 920 × 1080p		
Display Mode	HDMI/VGA: 1/4/6/8/9 BNC: Spot/sequence	HDMI/VGA: 1/4/6/8/9/16 BNC: Spot/sequence	HDMI/VGA: 1/4/6/8/9/16/25 BNC: Spot/sequence
<b>RECORDING</b>			
Dual IP Stream Record	Yes – high and low res		
Maximum Recording res@fps per HDA Camera (for 4/8/16 channels respectively)	5MP Lite @12fps; 4MP Lite @15fps; 1080P @15fps; 720 @30fps		
Recording Speed Per IP Camera: fps@res	1 × 4MP@30, 2 × 1080P@30	1 × 8MP@30, 2 × 4MP@30, 4 × 1080P@30	2 × 8MP@30, 4 × 4MP@30, 8 × 1080P@30
Recording Mode	Continuous/Schedule/Motion/Alarm/Event		
<b>PLAYBACK</b>			
Simultaneous Playback Channels	4 max	8 max	16 max
<b>STORAGE</b>			
Internal HDD (8TB max per SATA)	1 × SATA HDD		2 × SATA HDD
RAID	No		
Backup	USB memory stick or USB DVD Burner*		
Backup File Format	MP4 default to USB or .TS to Disc		
<b>AUDIO</b>			
Compression	G.711U		
Sample   bit rate	8Khz 16-bit   64Kbps		
Audio Over Coax	Only supported TVI		
<b>NETWORK</b>			
Ethernet	WAN	1 × RJ45 10/100	1 × RJ45 10/100/1000
	PoE	n/a	
	PoE power	n/a	
Max. Bandwidth in/out	40Mbps (48Mbps with IP)   48Mbps	40Mbps (56Mbps with IP)   64Mbps	80Mbps (112Mbps with IP)   160Mbps
Remote Monitoring	Android/iOS Mobile App – Vista Vizion, with Push Notification etc. VMS-Lite Windows PC-based Application		
Remote App Functions	Display / Playback / Backup / DVR control / PTZ control		
Protocols	TCP/IP, P2P, UPnP, DHCP, HTTP, HTTPS, DNS, DDNS, SMTP		
<b>EXTERNAL IN/OUT</b>			
Audio In   Out	1 × RCA   1 × RCA, 1 × HDMI		
Alarm In   Out	4   1		
Serial Port	1 for RS485 PTZ output		
USB	2 × USB2.0		1 × USB3.0, 1 × USB2.0
<b>GENERAL</b>			
Working Condition	10°C - 55°C (14°F - 131°F), Humidity ≤ 90% RH (non-condensing)		
Power Supply	DC12V		
Power Consumption	≤ 10W (Without HDD)		≤ 12W (Without HDD)
NET Dimension(WxDxH)   Weight	260mm × 226mm × 47mm (10.2" × 8.9" × 1.8")   ≤1.1 Kg		380mm × 326mm × 53mm (15.0" × 12.8")   ≤1.9 Kg
<b>COMPLIANCE</b>			
NDAA Compliant	Yes		

\* Supported DVD Burner LG GP65NB60

## MODELS IN THIS RANGE

<b>0910670</b>	<b>VA-DVR0405MP</b>
4CH 5MP H.265 HD Hybrid DVR	
<b>0910680</b>	<b>VA-DVR0805MP</b>
8CH 5MP H.265 HD Hybrid DVR	
<b>0910690</b>	<b>VA-DVR1605MP</b>
16CH 5MP H.265 HD Hybrid DVR	

## OTHER PRODUCTS

<b>0913720</b>	<b>VistaPC-i5-G12-3Mon-KBM ClientPC</b>
Windows Client i5 PC with OTB storage, 3-monitor support	
<b>0913730</b>	<b>VistaPC-i5-G12-3Mon-KBM-2TB Srv/Client</b>
Windows Client i5 PC with 2TB storage, 3-monitor support	
<b>0338110</b>	<b>VFS118WHDA 18.5"</b>
Monitor TVI/AHD/CVBS/HDMI & VGA	
<b>0773530</b>	<b>VFS121WHDA 21"</b>
Monitor TVI/AHD/CVBS/HDMI & VGA	
<b>0908420</b>	<b>VSW4</b>
4 port PoE switch dual up link	
<b>0908430</b>	<b>VSW8</b>
8 port PoE switch dual up link	
<b>0908440</b>	<b>VSW16</b>
16 port PoE switch dual uplink	
<b>0908450</b>	<b>VSW24</b>
24 port PoE switch dual uplink	
<b>0872170</b>	<b>DIAMOND4K</b>
All in one CCTV\IP\Cable Test Monitor	



No liability will be accepted by Vista for any errors or omissions in this information. Subject to change without notice.  
Version: V1.0 date: 2023-03

