



# WIP2BV Series

## WISH IP 2MP IP IR Varifocal Bullet Cameras

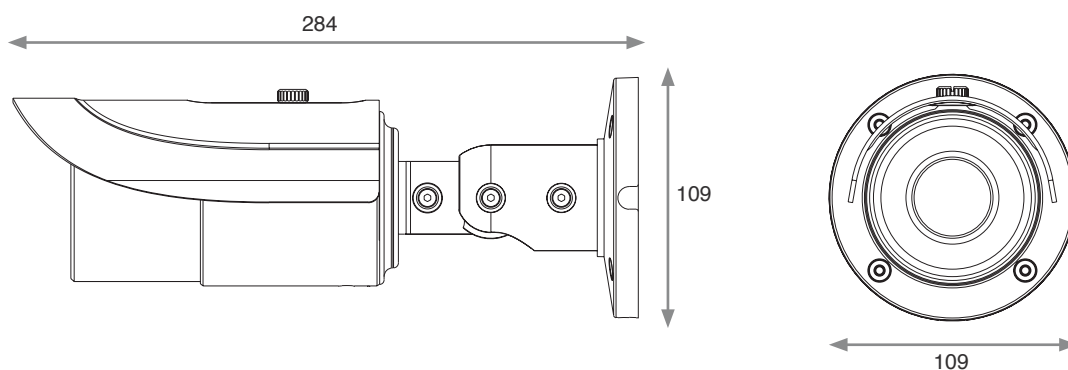
The WIP2BV Series are IP IR Varifocal Bullet Cameras with a 2.8-12mm Lens. The Cameras are able to support up to 25m IR Distance in ideal conditions and are available in White or Grey.



### Key Features

- 1080P Full Real-Time Coding
- Up to 25m IR Distance (In Ideal Conditions)
- 2.8 - 12mm Megapixel Lens
- 3D DNR
- Digital WDR
- CVBS Local Video
- True Day / Night
- MIC / Line in G.711A / U Audio Codec
- Two Way Audio
- IP and MAC Address Filtering
- Configuration Backup
- Image Export to Micro SD Card
- Alarm Image Size Dependent on Set Stream Resolution
- RTSP Streaming with or without Authentication
- Mirror & Flip Image
- Multiple Privacy Masking
- Physical Alarm Output
- Alarm Trigger and Alarm Input with Own Scheduler
- Remote Monitoring
- Supports Smart Phones & Tablets, P2P Connectivity
- Available in White or Grey

### Dimensions (mm)





# Technical Specification

Model Number	WIP2BV	WIP2BVG
Image Sensor	1/3" CMOS	
Image Pixels	1920 x 1080	
Effective Pixels (H x V)	752 x 582	
Electronic Shutter	1/25s ~ 1/100,000s	
Minimum Illumination	0 Lux (IR LED On)	
Lens	2.8 ~ 12mm	
Lens Mount	Ø14 Mount	
Video Format	PAL / NTSC	
WDR	Yes	
3D DNR	Yes	
Video Compression	H.264	
Resolution	1080P (1920 x 1080), 720P (1280 x 720), VGA (640 x 480), QVGA (320 x 240)	
Multi-Stream	1920 x 1080 (1-30fps) / 1280 x 720 (1-30fps) 1280 x 720 (1-10fps) / 640 x 480 (1-30fps) / 320 x 240 (1-30fps)	
Bit Rate	64Kbps ~ 4Mbps	
Encode Mode	VBR / CBR	
Quality	Five Levels Under VBR, Freely Adjustable Under CBR	
Image Settings	Saturation, Brightness, Contrast, etc Adjustable through Client Software or Web Browser	
Audio Compression	G711A	
Network Interface	RJ45	
Audio Interface	Two Way Audio (MIC In x1, MIC Out x1)	
Video Output Interface	BNC x1	
RS485	Yes	
Alarm Input	1 Ch	
Alarm Output	1 Ch	
Remote Monitoring	IE Browsing, CMS Remote Control	
Online Connection	Support Simultaneous Monitoring for up to 4 Users Support Multi-Stream Real Time Transmission	
Protocol	TCP/IP, UDP, DHCP, NTP, RTSP, PPPoE, DDNS, SMTP, FTP	
Storage	TF Card Local Storage, Network Remote Storage, Support TF Card, Up to 64GB	
Smart Alarm	Motion Alarm	
Day & Night	ICR	
IR Distance	Up to 25m (In Ideal Conditions)	
IP Rating	IP66	
Power Supply	DC12V / PoE	
Operating Conditions	Temperature: -40°C ~ 50°C Humidity: 10% ~ 90%	
Dimensions (Ø x L)	Ø109 x 284 mm	
Weight	1115g	

Genie CCTV reserves the right to change specifications without notice. Please contact your representative to confirm current specifications.

## Accessories

- **WIPMPJB** - Multi-Platform Junction Box for WISH IP Range, White
- **WIPMPJBG** - Multi-Platform Junction Box for WISH IP Range, Grey
- **WIPJBBV** - Junction Box for WISH IP Varifocal Bullet Cameras, White
- **WIPJBBVG** - Junction Box for WISH IP Varifocal Bullet Cameras, Grey
- **PSU1SM** - In-Line DC12V 1A Output, Regulated Switch Mode PSU, with Fixing Mount