



# WIP3BLBV5

## WISH 3MP IR Waterproof Bullet Camera

*The WIP3BLBV5 is a True Day/Night 3MP, IP IR, Varifocal Bullet Camera with a 2.8-12mm Lens. With an effective IR range of up to 50m in ideal conditions.*

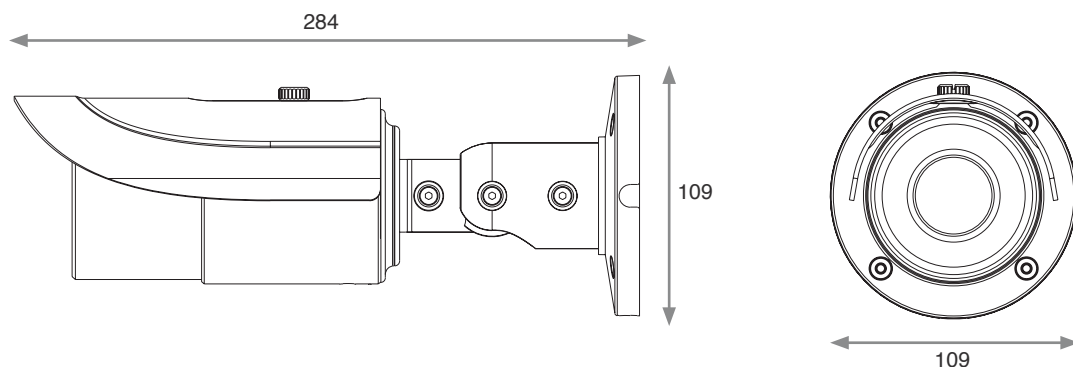


WIP3BLBV5

### Key Features

- 3MP
- H.265 Compression
- 2304 x 1296 Resolution
- ICR Auto Switch, True day/Night
- Up to 50m IR Distance
- Supports Composite Video Output
- Supports PoE power supply
- Supports own App on Smart phones and Tablets
- Supports P2P
- IP66 Ingress Protection
- Input and Audio Output

### Dimensions (mm)





# Technical Specification

Model Number	WIP3BLBV5
Image Sensor	1/3 "CMOS
Image Pixels	2304 x 1296
Electronic Shutter	1/25s ~ 1/100,000s
Minimum Illumination	0 Lux (IR LED ON)
Lens	2.8 ~ 12mm
WDR	Yes
3D DNR	Yes
Video Compression	H.265 / H.264 / MJPEG
Resolution	3MP (2304x1296), 960P (1280 x 960), 720P (1280 x 720), VGA (640 x 480), QVGA (320 x 240)
Bit Rate	64Kbps ~ 8Mbps
Encode Mode	VBR/CBR
Quality	Five Levels Under VBR, Freely Adjustable Under CBR
Image Settings	ROI, Saturation, Brightness, Contrast, etc Adjustable through Client Software or Web Browser
Audio Compression	G711A / U
Network Interface	RJ45
Video Output Interface	BNC
Audio Interface	Two Way Audio (MIC In x1, MIC Out x1)
Storage Card	Micro SD Up to 64GB
RS485	Yes
Alarm Input	1CH
Alarm Output	1 CH
Online Connection	Support Simultaneous Monitoring for up to 10 Users Support Multi-Stream Real Time Transmission
Protocol	TCP/IP, UDP, DHCP, NTP, RTSP, PPPoE, DDNS, SMTP, FTP
Storage	TF Card Local Storage, Network Remote Storage
Smart Alarm	Motion Alarm, Sensor Alarm
IR Distance	Up to 50m (In Ideal Conditions)
IP Rating	IP66
Power Supply	DC12V / PoE
Operating Conditions	Temperature: -20°C ~ 50°C Humidity: 10% ~ 90%
Dimensions (Ø x L)	Ø109 x 284 mm
Weight	1115g

Genie CCTV reserves the right to change specifications without notice. Please contact your representative to confirm current specifications.

## Accessories

- PSU1SM - In-Line DC12V 1A Output, Regulated Switch Mode PSU, with Fixing Mount
- POE-INJ01 - PoE Injector, Single Port POE-INJ01 - PoE Injector, Single Port
- WIPJBBV - Junction Box for Varifocal Lens Bullet Cameras
- WIPMPJB - Multi Platform Junction Box