



WIP3BV5

Wish IP 3MP Varifocal IR Bullet Camera

The WIP3BV5 is a 3MP True Day/Night, IP IR Bullet Camera with a 2.8mm Lens. With an effective IR Range of 30m in ideal conditions. DC12V

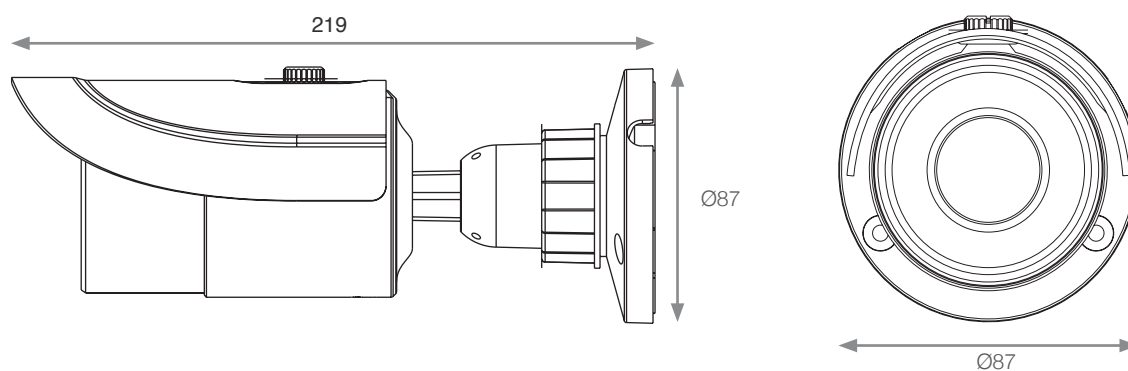


WIP3BV5

Key Features

- 3MP (2304 x 1296)
- H.265 Full Real Time Streaming
- True Day / Night
- 20 ~ 30m IR night view distance
- 3D DNR
- Digital WDR
- ROI Coding
- Support PoE Power Supply
- IP66 Ingress Protection
- Supports P2P
- Supports Own App on Android and IOS Remote Monitoring

Dimensions (mm)





Technical Specification

Model Number	WIP3BV5
Image Sensor	1/3 "CMOS
Image Pixels	2304 x 1296
Electronic Shutter	1/25s ~ 1/100000s
Minimum Illumination	0 Lux with IR
Lens	2.8 ~ 12mm
WDR	Yes
3D DNR	Yes
Angle Adjustment	Any Angle
Video Compression	H.265 / H.264 / MJPEG
Resolution	3MP (2304 x 1296), 3MP (2048 x 1536), 1080P (1920 x 1080), 720P (1280 x 720)
Main Stream	60Hz : 3MP (1~30fps) / 2K (1~30fps) / 1080P (1~30fps) / 720P (1~30fps) 50Hz : 3MP (1~25fps) / 2K (1~25fps) / 1080P (1~25fps) / 720P (1~25fps)
Bit Rate	64Kbps ~ 10Mbps
Encode Mode	VBR/CBR
Quality	Five Levels under VBR; Freely Adjustable under CBR
Image Settings	ROI, Saturation, Brightness, Contrast, etc Adjustable through Client Software or Web Browser
Audio Compression	G. 711A/ U
Network Interface	RJ45
Video Output Interface	BNC 1
Audio Interface	MIC IN x 1
PoE	Yes
Smart Alarm	Motion Alarm
Day and Night	True Day/Night, ICR
Protocol	TCP/IP, UDP, DHCP, NTP, RTSP, PPPoE, DDNS, SMTP, FTP
IR Distance	Up to 30m (In Ideal Conditions)
IP Rating	IP66
Power Supply	DC12V / PoE
Operating Conditions	Temperature: -20°C ~ 50°C Humidity: 10% ~ 90%
Dimensions (Ø x L)	Ø109 x 284 mm
Weight	609g

Genie CCTV reserves the right to change specifications without notice. Please contact your representative to confirm current specifications.

Accessories

- FILTERKIT4 - Filter Set Up Kit
- PSU1SM - In-Line DC12V 2A Output, Regulated Switch Mode PSU with Fixing Mount
- POE-INJ01 - PoE Injector, Single Port
- WIPMPJB - Multi Platform Junction Box