



WIP3VDV5M

WISH IP H.265 5MP IR Varifocal STARVIS Vandal Dome Camera

The WIP3VDV5M is a True Day/Night, 3MP IP IR Vandal Dome Camera with a 2.8-12mm Varifocal Lens. With an effective IR range of 30m in ideal conditions and, **SONY Starvis Sensor**. DC12V

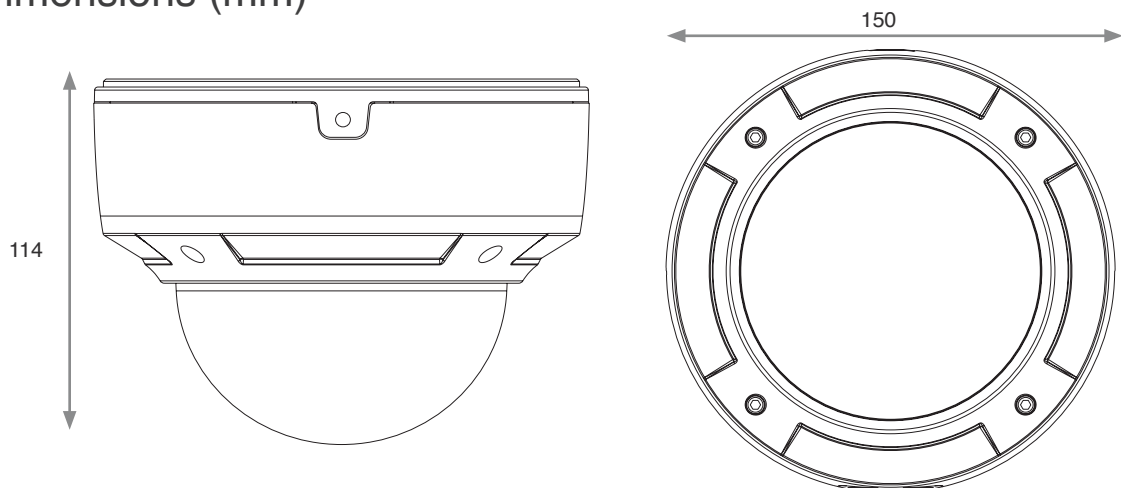


WIP3VDV5M

Key Features

- Full Real-Time Coding
- MIC / Line in G.711A / U Audio Codec
- RTSP Streaming with or without Authentication
- 3MP Full Time Coding
- Multiple Privacy Masking
- Alarm Trigger and Alarm Input with Own
- Supports Smart Phones & Tablets on Own App
- 2.8 - 12mm Lens
- H.265 Video Compression
- Up to 30m IR Distance
- 3D DNR
- Digital WDR
- CVBS Local Video
- Audio Input and Aduio Output
- Sony Starvis Sensor

Dimensions (mm)





Technical Specification

Model Number	WIP3VDV5M
Image Sensor	1/2.8" CMOS
Image Pixels	2048 x 1536
Electronic Shutter	1/25s ~ 1/100,000s
Minimum Illumination	0 Lux (IR LED ON)
Lens	2.8 ~ 12mm
WDR	Yes
3D DNR	Yes
Video Compression	H.265 / H.264 / MJPEG
Resolution	3MP (2048 x 1536), 960P (1280 x 960), 720P (1280 x 720), VGA (640 x 480), QVGA (320 x 240)
Multi-Stream	2048 x 1536 (1-30fps) / 1280 x 960 (1-30fps) / 1280 x 720 (1-30fps) / 1280 x 720 (1-10fps) / 640 x 480 (1-30fps) / 320 x 240 (1-30fps)
Bit Rate	64Kbps ~ 8Mbps
Encode Mode	VBR / CBR
Quality	Five Levels Under VBR, Freely Adjustable Under CBR
Image Settings	ROI, Saturation, Brightness, Contrast, etc Adjustable through Client Software or Web Browser
Audio Compression	G711A / U
Network Interface	RJ45
Video Output Interface	BNC x1
Audio Interface	Two Way Audio (MIC In x1, MIC Out x1)
RS485	Yes
Alarm Input	1 Ch
Alarm Output	1 Ch
Online Connection	Support Simultaneous Monitoring for up to 4 Users Support Multi-Stream Real Time Transmission
Protocol	TCP/IP, UDP, DHCP, NTP, RTSP, PPPoE, DDNS, SMTP, FTP
Storage	Network Remote Storage
Smart Alarm	Motion Alarm, Sensor Alarm
Day & Night	ICR
IR Distance	Up to 30m (In Ideal Conditions)
IP Rating	IP66
Power Supply	DC12V / PoE
Operating Conditions	Temperature: -20°C ~ 50°C Humidity: 10% ~ 90%
Dimensions (Ø x L)	Ø150 x 114 mm
Weight	1249g

Genie CCTV reserves the right to change specifications without notice. Please contact your representative to confirm current specifications.

Accessories

- FILTERKIT4 - Filter Set Up Kit
- PSU2SM - In-Line DC12V 2A Output, Regulated Switch Mode PSU with Fixing Mount
- POE-INJ01 - PoE Injector, Single Port
- WIPWVDV - Wall Mount Bracker
- WIPCVDV - Ceiling Mount Bracket
- WIPJBVDV - Junction Box for Varifocal Lens Vandal Dome Cameras
- GAIPLEAD - IP Audio Lead