



WIP4BVL5

WISH IP H.265 4MP IR Varifocal **Auto Focus** Bullet Camera

The WIP4BVL5 is a Large True Day/Night, H.265 4MP IP, IR Bullet Camera with a 3.3-12mm Varifocal **Auto Focus** Lens. With an effective IR range of up to 50m in ideal conditions. DC12V / PoE Operation.

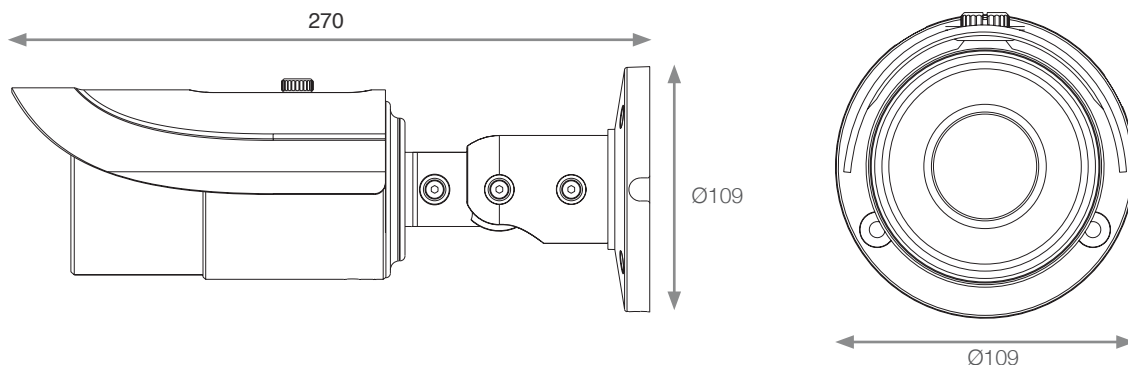


WIP4BVL5

Key Features

- 4MP Resolution
- H.265 Video Compression
- Up to 50m IR Distance (In Ideal Conditions)
- 3.3-12 mm Varifocal Lens
- **Auto Focus** Lens
- 3D DNR
- Digital WDR
- True Day / Night
- Two Way Audio
- Configuration Backup
- Supports Analytics software when connected with H.265 WISH IP Network Recorder*
- RTSP Streaming with or without Authentication
- Mirror & Flip Image
- Multiple Privacy Masking
- Alarm Trigger and Alarm Input with Programmable Schedule
- Supports Own App on Smart Phones & Tablets
- Up to 128GB SD Storage

Dimensions (mm)



*Analytics Software is supported by cameras purchased after 1st July 2017



Technical Specification

Model Number	WIP4BVL5
Image Sensor	1/2.7" CMOS
Image Pixels	2688 x 1520
Electronic Shutter	1/25s ~ 1/100,000s
Minimum Illumination	0.05 lux @F1.2, AGC ON; 0 lux with IR
Lens	3.3 ~ 12mm (Auto Focus)
Video Compression	H.265 / H.264 / MJPEG
Resolution	4MP (2592 × 1520), 3MP (2304 × 1296), 1080P 1920 × 1080 720P 1280 × 720 D1, CIF, 480 240
Multi-Stream	4MP/ 2K / 3MP / 1080P / 720P (1~30fps) 720P/ D1 /CIF (1~30fps) D1 / 480 x 240 / CIF (1~30fps)
Bit Rate	64Kbps ~ 10Mbps
Encode Mode	VBR / CBR
Quality	Five Levels Under VBR, Freely Adjustable Under CBR
Image Settings	ROI Coding, Saturation, Brightness, Chroma, Contrast, Wide Dynamic, Sharpen, NR, etc Adjustable through Client Software or Web Browser
Network Interface	RJ45
Audio Interface	MIC IN × 1, MIC OUT × 1
Video Output	CVBS Video Output (BNC x1)
RS485	Yes
Alarm Interfaces Input/Output	1/1 Channel
Online Connection	Support Simultaneous Monitoring for up to 10 Users Support Multi-Stream Real Time Transmission
Protocol	TCP/IP, UDP, DHCP, NTP, RTSP, PPPoE, DDNS, SMTP, FTP
Storage	Network Remote Storage or MicroSD (Up to 128GB)
Smart Alarm	Motion Alarm, Sensor Alarm
Day & Night	ICR
IR Distance	Up to 50m (In Ideal Conditions)
IP Rating	IP66
Power Supply	DC12V / PoE
Power Consumption	<2.5W (IR Off) <6.5W (IR On)
Operating Conditions	Temperature: -20°C ~ 50°C Humidity: 10% ~ 90%
Dimensions (Ø x L)	Ø109 x 270 mm
Weight	1.4kg

Genie CCTV reserves the right to change specifications without notice. Please contact your representative to confirm current specifications.

Accessories

- FILTERKIT4 - Filter Set Up Kit
- PSU1SM - In-Line DC12V 2A Output, Regulated Switch Mode PSU with Fixing Mount
- POE-INJ01 - PoE Injector, Single Port
- WIPJBBV - Junction Box for Bullet Varifocal Cameras
- WIPMPJB - Multi Platform Junction Box



WIP4BVL5 with WIPJBBV

