



WIP4LBV5

WISH IP H.265 4MP IP IR Bullet Camera

The WIP4LBV5 is a H.265 True Day/Night, 4MP IP, IR Bullet Cameras with a 3.3-12mm Lens. With an effective IR range of 50m in ideal conditions.

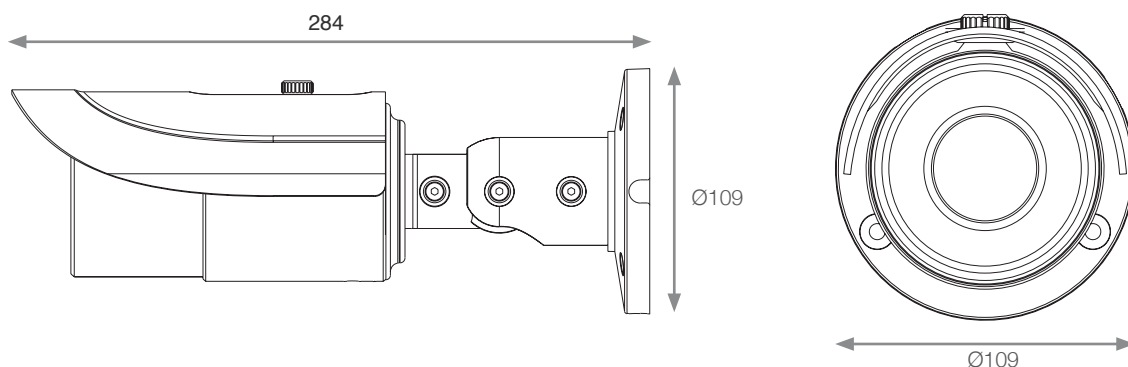


WIP4LBV5

Key Features

- 4MP Resolution
- Up to 50m IR Distance (In Ideal Conditions)
- 3.3-12 mm Megapixel Lens
- 3D DNR
- Digital WDR
- True Day / Night
- Two Way Audio
- Configuration Backup
- H.265 Compression
- RTSP Streaming with or without Authentication
- Mirror & Flip Image
- Multiple Privacy Masking
- Alarm Trigger and Alarm Input with Programmable Schedule
- Supports Own App on Smart Phones & Tablets
- P2P Connectivity
- TF Card up to 64GB

Dimensions (mm)





Technical Specification

Model Number	WIP4LBV5
Image Sensor	1 / 3" CMOS
Image Pixels	2688 x 1520
Electronic Shutter	1/25s ~ 1/100,000s
Minimum Illumination	0.05 lux @F1.2, AGC ON; 0 lux with IR
Lens	3.3 ~ 12mm
Video Compression	H.265 / H.264 / MJPEG
Resolution	4MP (2560 × 1440), 3MP (2304 × 1296), 1080P 1920 × 1080 720P 1280 × 720 D1, CIF, 480 240
Multi-Stream	60Hz : 4MP (1~30fps) / 3MP (1~30fps) / 1080P (1~30fps) / 720P (1~30fps) 50Hz : 5MP (1~25fps) / 2K (1~25fps) / 1080P (1~25fps) / 720P (1~25fps)
Bit Rate	64Kbps ~ 10Mbps
Encode Mode	VBR / CBR
Quality	Five Levels Under VBR, Freely Adjustable Under CBR
Image Settings	ROI Coding, Saturation, Brightness, Chroma, Contrast, Wide Dynamic, Sharpen, NR, etc Adjustable through Client Software or Web Browser
Network Interface	RJ45
Audio Interface	MIC IN × 1, MIC OUT × 1
Video Output	CVBS Video Output (BNC x1)
Storage Card	Support TF Card (up to 64 GB)
RS485	Yes
Alarm Interfaces Input/Output	1/1 Channel
Online Connection	Support Simultaneous Monitoring for up to 10 Users Support Multi-Stream Real Time Transmission
Protocol	TCP/IP, UDP, DHCP, NTP, RTSP, PPPoE, DDNS, SMTP, FTP
Storage	Network Remote Storage or TF Card (Up to 64GB)
Smart Alarm	Motion Alarm, Sensor Alarm
Day & Night	ICR
IR Distance	30 ~ 50 m (In Ideal Conditions)
IP Rating	IP66
Power Supply	DC12V / PoE
Power Consumption	<2.5W
IR ON	<6.5W
Operating Conditions	Temperature: -20°C ~ 50°C Humidity: 10% ~ 90%
Dimensions (Ø x L)	Ø109 x 284 mm
Weight	1115g

Genie CCTV reserves the right to change specifications without notice. Please contact your representative to confirm current specifications.

Accessories

- FILTERKIT4 - Filter Set Up Kit
- PSU1SM - In-Line DC12V 2A Output, Regulated Switch Mode PSU with Fixing Mount
- POE-INJ01 - PoE Injector, Single Port
- WIPJBBV - Junction Box for Bullet Varifocal Cameras
- WIPMPJB - Multi Platform Junction Box