



WIP4VD5

WISH IP H.265 4MP IR Vandal Dome Camera

The WIP4VD5 is a true day / night IP 4MP vandal dome camera with a 2.8 mm fixed lens with 20m IR distance in ideal conditions as well as H.264 / H.265 video compression.

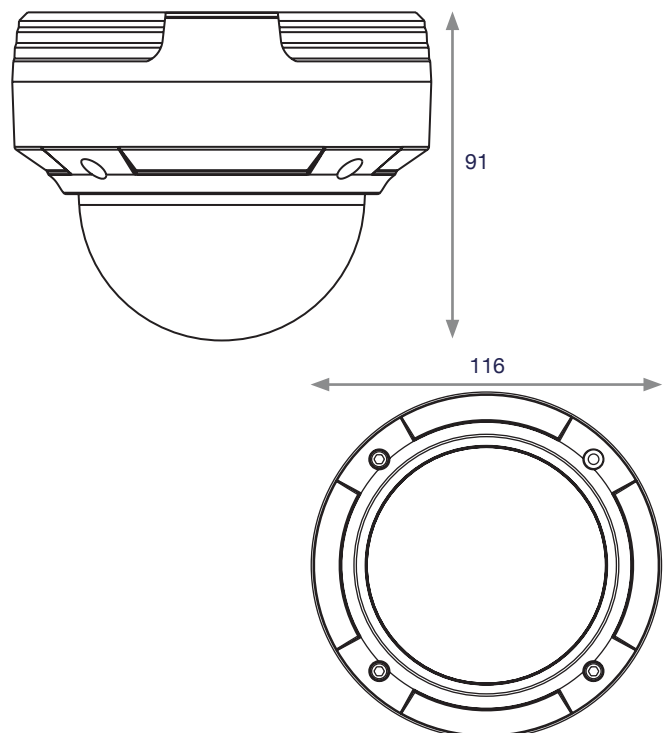


WIP4VD5

Key Features

- 4MP Resolution Full Real Time Coding
- H.264 / H.265 Video Compression (Codec)
- Up to 20m IR Distance (In Ideal Conditions)
- Support HLC, BLC and Defogging
- ROI Coding
- One Way Audio (MIC In x 1)
- Supports Own App on Smart Phones & Tablets
- Support Local CVBS Video Output
- 2.8 mm Fixed Lens
- Supports Analytics software when connected with H.265 WISH IP Network Recorder (Analytics Software is supported by cameras purchased after 1st July 2017)
- 3D DNR
- Physical WDR
- True Day / Night
- Supports PoE Power Supply

Dimensions (mm)





Specification

Model Number	WIP4VD5
Image Sensor	1/2.7" CMOS
Image Pixels	2688 x 1520
Electronic Shutter	1/25s ~ 1/100,000s
Minimum Illumination	0.5 Lux (IR LED ON)
Lens	2.8 mm
Video Compression	H.265 / H.264 / MJPEG
Resolution	4MP (2560 x 1440), 1080P (1920 x 1080), 720P (1280 x 720), D1, CIF, 480 x 240
Main-Stream	60Hz : (1 ~ 30fps) / 1080P (1 ~ 30fps) / 720P (1 ~ 30fps) / 4MP (1 ~ 30fps) / 4MP (1 ~ 25fps) / 2K 3MP (1 ~ 30fps) 50Hz : 2K (1 ~ 25fps) / 3MP (1 ~ 25fps) / 1080P (1 ~ 25fps) / 720P (1 ~ 25fps)
Bit Rate	64Kbps ~ 10Mbps
Encode Mode	VBR / CBR
Quality	Five Levels Under VBR, Freely Adjustable Under CBR
Image Settings	ROI Coding, Saturation, Brightness, Chroma, Contrast, Wide Dynamic, Sharpen, NR, etc Adjustable through Client Software or Web Browser
Network Interface	RJ45
Audio Interface	One Way Audio (MIC In x1)
Video Output	CVBS Video Output (BNC x1)
Alarm Input	1 Ch
Alarm Output	1 Ch
Remote Monitoring	IE Browsing, CMS Remote Control
Online Connection	Support Simultaneous Monitoring for up to 10 Users Support Multi-Stream Real Time Transmission
Interface Protocol	ONVIF, GB-T/28181-2011
Storage	Network Remote Storage
Smart Alarm	Motion Alarm
Day & Night	ICR
PoE	Yes
IR Distance	Up to 20m (In Ideal Conditions)
IP Rating	IP66
Power Supply	DC12V / PoE
Power Consumption	<2.5W
IR ON	<4W
Operating Conditions	Temperature: -20°C ~ 50°C, Humidity: 10% ~ 90%
Dimensions (Ø x H)	Ø116 x 91 mm
Weight	605g

Genie Access reserves the right to change specifications without notice. Please contact your representative to confirm current specifications.