

The WIP8BVAF5 is a sleek and modern bullet style camera offering 4K resolution (8 Megapixel) and H.265 video compression. The housing offers IP66 protection with true day/night operation. The camera utilises a 3.3mm-12mm auto focus motorised lens with built in infrared LED's to provide illumination for night time images. This camera is a must for those requiring a surveillance camera with the very highest resolution with many features including two way audio and smart analysis.

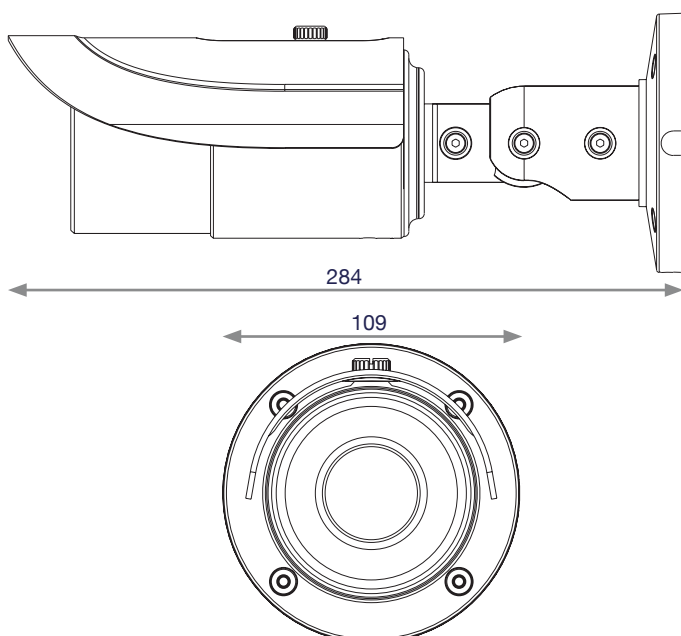


WIP8BVAF5

Key Features

- H.265 main profile video compression technology, high compression ratio, stable stream control
- 8MP (3840 x 2160) full real time coding
- Maximum resolution: 3840 x 2160 (4K)
- ICR auto switch, true day / night
- 30 ~ 50m IR night view distance
- 3D DNR, digital WDR
- Support 8 ROI coding
- Support 3 streams
- 3.3-12mm auto focus motorised lens
- Smart analysis including object removal, line crossing detection and intrusion detection
- Support CVBS video output, two-way audio and PoE power supply
- Support smart phone, iPad, remote monitoring
- IP66
- TF card local storage, up to 128GB

Dimensions (mm)



Accessories



WIPJBBV
WISH IP Junction Box for Varifocal Cameras



Specification

Model Number	WIP8BVAF5
Image Sensor	1 / 2.5" CMOS
Image Size	3840 x 2160
Electronic Shutter	1/25s ~ 1/100000s
Iris Type	Fixed iris
Minimum Illumination	0.01 Lux @F1.2, AGC On; 0 Lux with IR
Lens	3.3 ~ 12 mm @F1.4, Horizontal field of view : 97.5° ~ 38.5°
Lens Mount	Φ14
Day & Night	ICR
Wide Dynamic Range	Digital WDR
Digital NR	2D / 3D DNR
Angle Adjustment	Any angle
Video Compression	H.265 MP; H.264 BP / MP / HP, MJPEG
Resolution	8MP (3840 x 2160), 2K (2560 x 1440), 3MP (2304 x 1296), 1080P (1920 x 1080), 720P (1280 x 720), D1, CIF, 480 x 240
Main Stream	60Hz: 8MP (1 ~ 30fps) / 1080P (1 ~ 30fps) / 720P (1 ~ 30fps) 50Hz : 8MP (1 ~ 25fps) / 1080P (1 ~ 25fps) / 720P (1 ~ 25fps)
Bit Rate	64 Kbps ~ 16 Mbps
Bit Rate Type	VBR / CBR
Quality	Five levels under VBR, freely adjustable under CBR
Image Settings	ROI, Saturation, Brightness, Chroma, Contrast, Wide Dynamic, Sharpen, NR, (Adjustable through client software or web browser)
Audio Compression	G711A / U
ROI	Each ROI to be configured separately
Network Interface	RJ45 x 1, 10M / 100M Self-Adaption
Audio Interface	MIC in x 1, MIC out x 1
Video Output	CVBS video output (BNC x 1)
RS485	Yes
Alarm Input	1 Channel
Alarm Output	1 Channel
Remote Monitoring	IE browsing, CMS remote control
Online Connection	Support simultaneous monitoring for up to 10 users, Support Multi-Stream real time transmission
Protocol	TCP / IP, UDP, DHCP, NTP, RTSP, PPPoE, DDNS, SMTP, FTP
Interface Protocol	ONVIF, GB-T/28181-2011
Storage	TF card local storage up to 128GB, Network remote storage
Smart Alarm	Motion alarm, Sensor alarm
Smart Analysis	Object removal detection, line crossing detection and intrusion detection
PTZ	RS485 x 1
PoE	Yes
IR Distance	30 ~ 50 m
IP Rating	IP66
Power Supply	DC12V / PoE
Power Consumption	< 4.5W
IR Consumption On	< 8W
Operating Environment	- 20°C ~ 50°C, 10 % ~ 90 % Relative Humidity
Dimensions	109 x 284 mm
Weight	1112g

Genie Access reserves the right to change specifications without notice. Please contact your representative to confirm current specifications.