

The WIPSWM is a surface mount wall bracket that can be used in conjunction with WIPSJB, WIPJBBV, WIPJBVDV and WJBEBV junction boxes.

Key Features

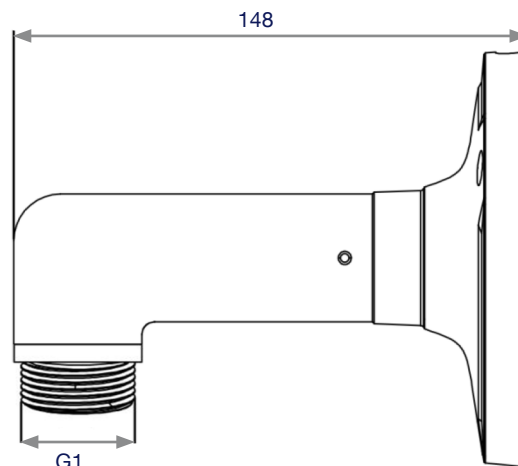
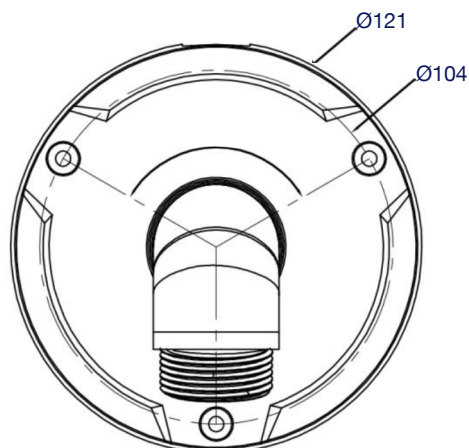
- Aluminium alloy material with surface spray treatment
- Wall mount bracket
- Can be used with WIPSJB, WIPJBVDV, WIPJBBV and WJBEEV junction boxes

Specification

Model Number	WIPSWM
Material	Aluminium alloy
Colour	White
Working Temperature	-40°C ~ +60°C (-40°F ~ +140°F)
Working Humidity	10% ~ 90%
Load Bearing	The wall must be strong enough to withstand at least 3 times the weight of the camera and the bracket.
Dimensions	Ø121 x 148 mm
Weight	350g

Bioaccess Sales Ltd. reserves the right to change specifications without notice. Please contact your representative to confirm current specifications.

Dimensions (mm)



WIPSWM



WIPSWM + WIPSJB

WIPSWM + WIPJBVDV

WIPSWM + WIPJBBV