



WOIP8VD5

8MP Network IR Vandal Dome Camera

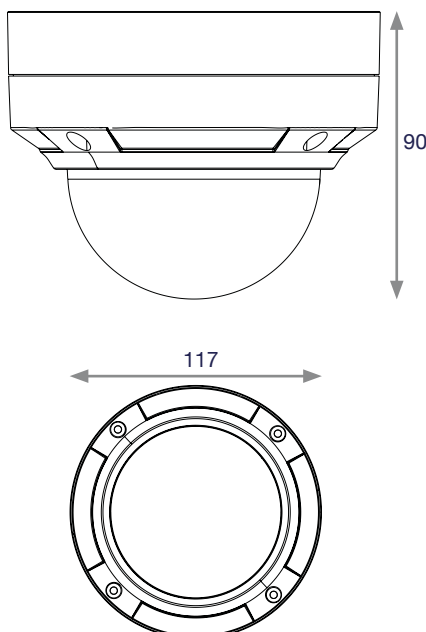
The WOIP8VD5 is a sleek and modern vandal resistant dome style camera offering 4K resolution (8 Megapixel) and H.265 video compression. The compact and sturdy housing offers IP-66 protection with true day/night operation. It utilises a fixed 3.6mm lens and has a built-in array of Infrared LED's to provide illumination for night time images. This camera is a must for those requiring a surveillance camera with the very highest resolution, yet available at an affordable price level.



Key Features

- H.265 Main Profile Video Compression Technology, High Compression Ratio, Stable Stream Control
- Smart Analysis including object removal, Line Crossing Detection and Intrusion Detection (Optional)
- 8MP (3840 x 2160) Full Real Time Coding
- 3840 x 2160 Maximum Resolution
- ICR Auto Switch, True Day / Night
- 10~20m IR Night View Distance
- 3D-DNR, Digital WDR, HLC & BLC
- Support ROI Coding
- 3.6mm Lens
- Support PoE Power Supply
- Support Smart Phone, iPad and Remote Monitoring
- Support 3 Streams
- IP66
- Wall Mount or Ceiling Mount
- 3-Axis Gimble

Dimensions (mm)



Accessories



WIPJBBV
WISH IP Junction Box for Varifocal
Cameras



Specification

Model Number	WOIP8VD5
Image Sensor	1/2.5" CMOS
Image Size	3840 x 2160
Electronic Shutter	1/25s ~ 1/100000s
Iris Type	Fixed Iris
Minimum Illumination	0.01 Lux @ F1.2, AGC On, 0 Lux with IR
Lens	3.6mm @ F1.6, Horizontal Field of View: 87.7°
Lens Mount	M12
Day & Night	ICR
Wide Dynamic Range	Digital WDR
BLC	Yes
HLC	Yes
Angle Adjustment	Pan: 0°~355°, Tilt: 0°~67°, Rotation: 0°~355°
Video Compression	H.265 MP, H.264 / MJPEG
Resolution	8MP (3840 x 2160), 2K (2560 x 1440), 3MP (2304 x 1296), 1080P (1920 x 1080), 720P (1280 x 720), D1, CIF, 480 x 240
Main Stream	60Hz: 8MP (1~30fps) / 2K (1~30fps) / 3MP (1~30fps) / 1080P (1~30fps) / 720MP (1~30fps) 50Hz: 8MP (1~25fps) / 2K (1~25fps) / 3MP (1~25fps) / 1080P (1~25fps) / 720MP (1~25fps)
Bit Rate	128 Kbps ~ 16 Mbps
Bit Rate Type	VBR / CBR
Quality	Five Levels Under VBR, Freely Adjustable under CBR
Image Settings	ROI, Saturation, Brightness, Chroma, Contrast, Wide Dynamic, Sharpen, NR (Adjustable Through Client Software or Web Browser)
Audio Compression	G711A / U
ROI	Each ROI to be configured separately
Network Interface	RJ45 x 1, 10M / 100M Self-Adaption
Remote Monitoring	IE Browsing, CMS Remote Control
Online Connection	Support Simultaneous Monitoring for up to 10 users, Support Multi-Stream Real Time Transmission
Network Protocol	TCP / IP, UDP, DHCP, NTP, RTSP, PPPoE, DDNS, SMTP, FTP
Interface Protocol	ONVIF, GB-T/28181-2011
Storage	Network Remote Storage
Smart Alarm	Motion Alarm
Smart Analysis	Object Removal, Abnormal Video Signal Detection, Line Crossing Detection and Intrusion Detection
PoE	Yes
IR Distance	10 ~ 20m
IP Rating	IP66
Power Supply	DC12V / PoE
Power Consumption	<6W
Operating Environment	-20°C ~ 50°C, 10% ~ 90% Relative Humidity
Dimensions	Φ117 x 90 mm
Weight	602g

Genie Access reserves the right to change specifications without notice. Please contact your representative to confirm current specifications.