



ZD5501

High Resolution 1000TVL Bullet Camera

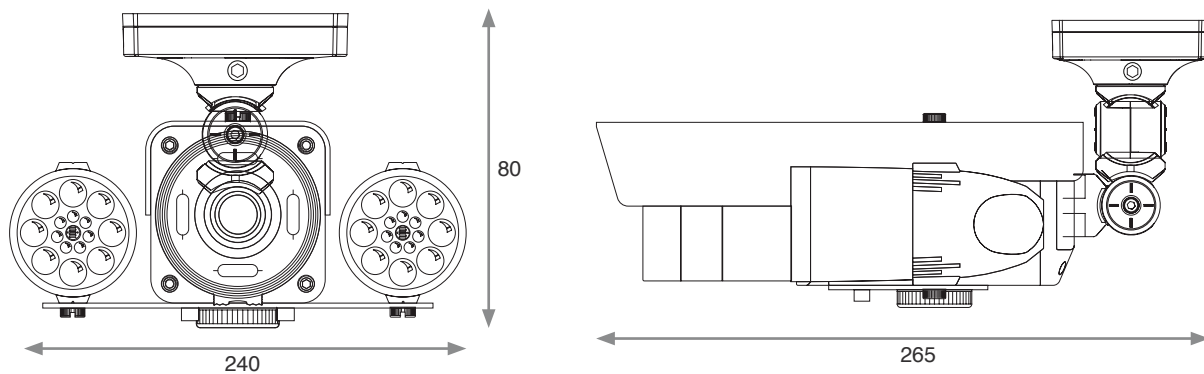


ZD5501

Key Features

- 1000TVL
- WDR (Wide Dynamic Range)
- Preset
- DNR (Digital Noise Reduction)
- Smart IR
- Sens-Up
- Defog
- CVBS (Composite Video Blanking and Sync)
- Motion Tracking

Dimensions (mm)





Technical Specification

Model Number	ZD5501
Image Sensor	1/3" 1.3 Mega Sony Exmor Sensor (Imx138)
Resolution	1000TVL
Effective Pixels	1305 (H) x 1049 (V), 1.37M Pixels
Total Pixels	1312 (H) x 1069 (V), 1.40M Pixels
Scanning System	Progressive Scan
S/N Ratio	More than 50dB
Frame Rate	Max. 50P/60P
Video Output	CVBS: 1.0Vp-p/75 Ω
Minimum Illumination	0 Lux (IR LED ON)
Lens	DC / MANUAL
Electronic Shutter Speed	AUTO / MANUAL (1/60 Sec ~ 1/60000 Sec) / FLICKER
OSD	Built-In
BLC	0
HSBLC	0
WDR (Wide Dynamic Range)	ON (LOW / MIDDLE / HIGH) / OFF
Digital WDR	ON (LOW / MIDDLE / HIGH) / OFF
Day & Night	COLOUR / B&W / AUTO / EXT
White Balance	AUTO / AUTO EXT / AWC->SET / MANUAL
Smart-IR	0~20 (Level Adjustable), Default: 0
Sens-Up	x2 ~ x32, Default : x8
Motion Detection	ON / OFF (Programmable 4 Zones)
Motion Tracking (Quick Zoom)	ON / OFF
OSD Output for Anti Shifting	ON / OFF
OSD Output for Anti Blocking	ON / OFF
3D DNR	OFF / LOW / MIDDLE / HIGH
Defog	ON (AUTO / MANUAL) / OFF
Brightness	0~20 (Level Adjustable), Default: 10
AGC	0~20 (Level Adjustable), Default: 20
Privacy Masking	ON / OFF (Programmable 16 Zones)
Mirror / V-FLIP	ON / OFF
Sharpness	0~15 (Level Adjustable), Default: 7
Lens Shading Compensation (LSC)	ON / OFF
RS-485 (Protocol)	Available
View Angle	WIDE 4:3 / Normal / WIDE 16:9
CVBS Output	NTSC / PAL Selectable
Communication	Coaxial Control
Power Consumption	IR LED ON: 2A Max
Power Supply	Dual Voltage
Lens	DC Auto Iris Varifocal Lens (5-50 mm)
Dimensions (W x H x D)	240 x 80 x 265 mm
Weight	2500g

Genie CCTV reserves the right to change specifications without notice. Please contact your representative to confirm current specifications.

Accessories

- **INTUS/JB** - Junction Box for INTUS Cameras (Except ZB2812IR). Compatible with W96BVIR, IR3040, IR5070 & IR80100
- **GMPC12** - DC12V & AC24V Power Connector Jack (Male) to Terminal Block
- **GFPC12** - DC12V & AC24V Power Connector Jack (Female) to Terminal Block

