

PH800



2.5 METRE VERTICAL PULL HANDLE WITH 2 SLIM MAGLOCKS

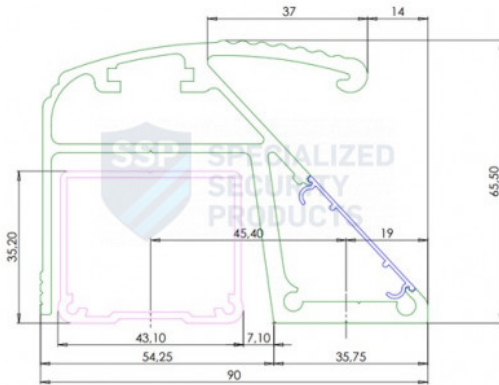
Full length door handle incorporating two slim maglocks. Provides a sturdy modern design handle with concealed maglocks. Ideal for office environments.

FEATURES

- Fail safe operation (power to lock)
- Dual voltage 12Vdc or 24Vdc (selectable)
- Satin anodised aluminium finish
- Concealed wiring
- Armature fitted inside the handle, improving appearance
- 2 integrated magnets and armature plates (included)
- Lock monitoring

TECHNICAL INFORMATION

- Up to 275kg (600lb) holding force (per magnet)
- Length: 2500mm (can be cut to required length)
- Total current draw:
 - 1A @ 12Vdc
 - 500mA @ 24Vdc
- Monitoring relay:
 - COM/NO/NC (1A @ 24Vdc)



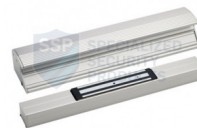
RELATED PRODUCTS



DG500



EM-AH2-2V



PH450



SPB003S-ILLUM