



Product description

The electronic swing door strike 351M.80 is equipped with an innovative quiet electric motor drive and is designed for the locking of swing, double swing, and carousel doors. It is suitable for horizontal or vertical installation in the door frame.

The door contact and the armature contact are designed as potential-free switching contacts. The door contact is switched magnetically when the door is closed. The armature contact can be used to monitor locking status.

The 351M.80 swing door electric strike works according to the fail-safe unlocked operating principle. If the power is shut off or the power fails, the door can be opened. If power is connected and the door is in the "Door closed" position for at least 1 s

Overview of Advantages

- Very quiet locking and unlocking, silent during permanent release
- Suitable e.g. for swing doors and single-action swing doors, interlocking doors and special doors
- Suitable as a supplementary locking system for installation in fire doors
- Vertical and horizontal universal installation position in the door frame or in the door leaf
- Holding force of 5000 N
- Safe unlocking under pre-load of up to 5000 N
- 12V DC to 48V DC multi-voltage, controlled DC voltage
- Monitoring contact and armature contact integrated
- Compatible with Model 351U

Scope of delivery

- Supplied with face and counter plate

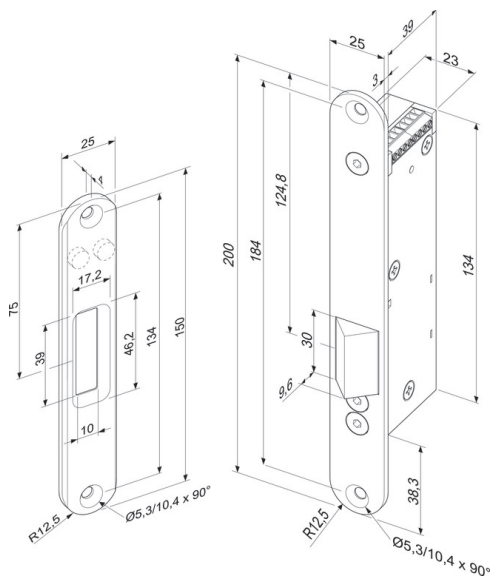
Note

- Approval according to NF S 61-937 (Locks for escape routes in France) Certificate no. SD/130053
- Suitable for fire doors according to British Standard BS476

Technical data

DIN-direction	universal
Monitoring contact (RR)	Yes
Diode (05)	Yes
Fail-unlocked	Yes
Input operating voltage	± 10%
Max. current consumption with motor operation (approx. 1 s) 12 V DC	880 mA
Max. start current consumption with motor operation (approx. 1 s) 24 V DC	270 mA
Max. current consumption with motor operation (approx. 1 s) 48 V DC	270 mA
Max. current consumption in continuous operation 12 V DC	480 mA
Max. current consumption in continuous operation 24 V DC	270 mA
Max. current consumption in continuous operation 48 V DC	150 mA
Anchor contact	Yes
Max. pre-load	5000 N
Break-in resistance	5000 N
Material housing	Stainless steel
material bolt	Steel
Operating temperature range	-15 °C to +50 °C
Bolt throw	10 mm
Installation position	universal
Rebate clearance	3 mm (2 mm – 4,5 mm)
High	200 mm
Width	25 mm
Depth	42 mm

Article number	351M.80-----N91
----------------	-----------------



EAN-Number

4042203461758
