

## DS-2CD6362F-I (V) (S) 6 MP Network Fisheye Camera



DS-2CD6362F-I(V)(S) is a fisheye network camera capable of providing a 360 degree panoramic image of its surveillance scene.

The progressive scan CMOS sensor provides high-resolution images of up to 3072 × 2048.

Up to 15 live view display modes, specifically designed for 3 mount types and 2 decoding modes, meet the major needs from customers of different preference.

IR range of 15 meters provides good visibility in low or even zero-light environment.

- 1/1.8" Progressive Scan CMOS
- Max. 3072 × 2048 @25fps
- Up to 15 live view display modes
- Digital WDR
- Up to 15m IR range
- Built-in microphone and speaker
- 2 behavior analyses, 1 statistic
- With – V model: IK10 for camera housing, IP66



## Function Description

### Smart

- 2 behavior analyses, line crossing detection and intrusion detection
- 1 statistic, heat map
- Smart recording: Support edge recording and dual-VCA
- Smart encoding: Support low bit rate, low latency, ROI enhance encoding

### Image

- Max. 3072 × 2048 @25fps
- Support live view image decoded by hardware and software
- Support up to 15 display modes in total
- Streaming smoothness setting for different requirements of image quality and fluency
- Support H.264+/H.264/MJPEG video compression, multi-level video quality configuration; support Baseline Profile/Main Profile/High Profile H.264 encoding complexity
- Multiple OSD color: Black & white self-adaptive; Custom
- Digital WDR is supportable for backlight environment
- Support BLC

### System

- Support ONVIF (profile S/profile G), CGI, PSIA, ISAPI protocol
- Support dual streams, and support 20 channels live view at the same time
- Lightning protection, surge protection, voltage transient protection, anti-static protection

### Interface

- Support standard 128G microSD/SDHC/SDXC card storage
- Support 10M/100M/1000M Ethernet port. Support RS-485 (with – S model)
- Support Audio I/O, support stereo audio (with – S model)
- Support Alarm I/O (with – S model)

### Security

- Support three-level user authentication management, user and password authorization, and IP address filtering
- Support security certificate as HTTPS
- Lock user IP after certain times failed login attempts

## Specifications

<b>Camera</b>	
Image Sensor	1/1.8" Progressive Scan CMOS
Min. Illumination	0.05 Lux @ (F1.2, AGC ON), 0.25 Lux @ (F2.6, AGC ON), 0 Lux with IR
Shutter Speed	1/3 s – 1/100,000 s
Slow Shutter	Support
Lens	1.27 mm, F2.6; horizontal field of view: 180° (wall mount), 360°(ceiling mount), 360°(table mount)
Lens Mount	M12
Day & Night	IR Cut Filter
Digital Noise Reduction	3D DNR
WDR	Digital WDR
<b>Compression Standard</b>	
Video Compression	Main stream: H.264 Sub stream: H.264/MJPEG
H.264 Type	Baseline Profile/Main Profile/High Profile
H.264+	Support only when the display mode is Fisheye View
Video Bit Rate	256 Kbps – 16 Mbps
Audio Compression (-S)	G.711/G.722.1/G.726/MP2L2/PCM
Audio Bit Rate	64Kbps(G.711)/16Kbps(G.722.1)/16Kbps(G.726)/32-160Kbps(MP2L2)
<b>Image</b>	
Max. Resolution	3072 × 2048
Main Stream	50Hz: 25fps (3072 × 2048, 2048 × 2048, 1280 × 1280)
Max. Frame Rate	60Hz: 24fps (3072 × 2048), 30fps (2048 × 2048, 1280 × 1280)
Sub Stream	50Hz: 12.5fps (720 × 720, 704 × 576)
Max. Frame Rate	60Hz: 15fps (720 × 720, 704 × 480)
Image Enhancement	BLC/3D DNR
Image Setting	Saturation, Brightness, Contrast, Sharpness adjustable by client software or web browser
Region of Interest	Support 3 fixed region for each stream
Day/Night Switch	Auto/Schedule/Triggered by Alarm In
Picture Overlay	LOGO picture can be overlaid on video with 128 × 128 24bit bmp format
<b>Live View Display</b>	
Mount Type	Support table, wall, and ceiling
Decoding Mode	Support hardware decoding and software decoding
Display Mode	Support 15 display modes in total (including display modes of different mount types and decoding modes): Fisheye View, 180 Panorama View, 4PTZ, Fisheye + 3PTZ, Fisheye + Panorama + 3PTZ, 360 Panorama View, 360 Panorama + PTZ, 360 Panorama + 3PTZ, 360 Panorama + 6PTZ, 360 Panorama + 8PTZ, 2PTZ, Fisheye + 8PTZ, Panorama View, Panorama + 3PTZ, Panorama + 8PTZ
<b>Audio (With -S model)</b>	
Environment Noise Filtering	Support
Audio I/O	Support
Audio Sampling Rate	Max. 48 kHz
<b>Smart Feature-set</b>	
Intrusion Detection	Cross a pre-defined virtual line, up to 4 pre-defined virtual lines supported
Line Crossing Detection	Enter and loiter in a pre-defined virtual region, up to 4 pre-defined virtual regions supported
Heat Map	A graphical representation of density of visit in a configured area.

<b>Network</b>	
Network Storage	Support microSD/SDHC/SDXC card (128G), local storage and NAS (NFS,SMB/CIFS), ANR
Alarm Trigger	Motion detection, video tampering alarm, network disconnected, IP address conflicted, illegal login, HDD full, HDD error
Protocols	TCP/IP, UDP, ICMP, HTTP, HTTPS, FTP, DHCP, DNS, DDNS, RTP, RTSP, RTCP, PPPoE, NTP, UPnP, SMTP, SNMP, IGMP, 802.1X, QoS, IPv6, Bonjour
General Function	One-key reset, anti-flicker, heartbeat, password protection, privacy mask, watermark, IP address filter
Standard	ONVIF (PROFILE S, PROFILE G), PSIA, CGI, ISAPI
<b>Interface</b>	
Communication Interface	1 RJ45 10M/100M/1000M Ethernet port With –S model: 1 RS-485 interface
Audio Input	1 3.5mm audio interface, Mic in/Line in (with – S model); 1 built-in microphone by default, -42dB
Audio Output	1 3.5mm audio output interface (with – S model); 1 built-in speaker by default, support echo cancellation
Alarm (With –S model)	1 input, 1 output (up to DC24V 1A or AC110V 500mA)
On-board storage	Built-in microSD/SDHC/SDXC slot, up to 128 GB
Reset Button	Yes
<b>General</b>	
Operating Conditions	Indoor temperature: -10 °C to +50 °C (14 °F – 122 °F) With –V model: Outdoor temperature: -30 °C – 60 °C (-22 °F – 140 °F) Humidity 95% or less (non-condensing)
Power Supply	DC 12 V ± 10%, 0.78A PoE (802.3af, class 3), 0.33 – 0.21A
Power Consumption	Max. 12W
IR Range	15 m
Protection Level	With – V model: IEC60068-2-75Eh, 20J; EN50102, up to IK10 for camera housing With – V model: IP66
Dimensions	164 × 152.8 × 43.8 mm (6.46" × 6.02" × 1.72") With –V model: 164 × 152.8 × 49.5 mm (6.46" × 6.02" × 1.95")
Weight	1400 g (3.09 lbs)

*Note: for detailed resolution of each display mode, consult the dealer or the technical support.*

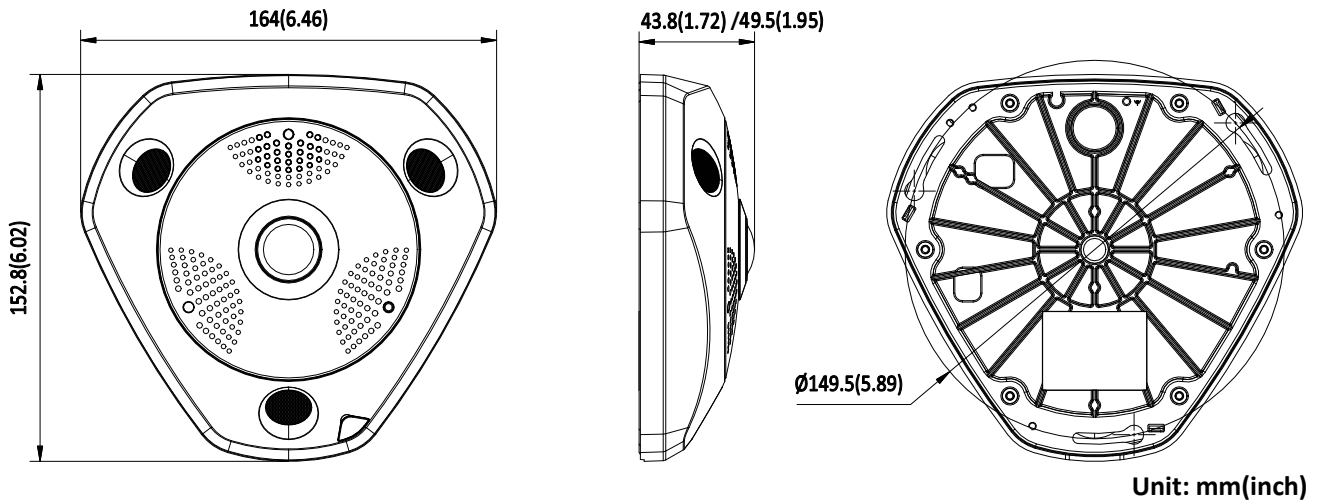
### **Order Models:**

DS-2CD6362F-I; DS-2CD6362F-IV; DS-2CD6362F-IS; DS-2CD6362F-IVS

*\*-S: with 1 audio input (Mic in/line in), 1 audio output, 1 RS-485, 1 alarm input and 1 alarm output*

*\*-V: with protection level of IK 10 and IP66*

## Dimensions



## Accessories



DS-1280ZJ-DM25  
Junction Box



DS-1281ZJ-DM25  
Inclined Ceiling Mount



DS-1273ZJ-DM25  
Wall Mount



DS-1271ZJ-DM25  
Pendant Mount



DS-1283ZJ  
Wall Mount (3-axis Adjustment)

Distributed by



### Headquarters

No.555 Qianmo Road, Binjiang District,  
Hangzhou 310051, China  
T +86-571-8807-5998  
overseasbusiness@hikvision.com

**Hikvision USA**  
T +1-909-895-0400  
sales.usa@hikvision.com

**Hikvision Europe**  
T +31-23-5542770  
saleseuro@hikvision.com

**Hikvision Middle East**  
T +971-4-8816086  
salesme@hikvision.com

**Hikvision Russia**  
T +7-495-669-67-99  
saleru@hikvision.com

**Hikvision India**  
T +91-22-28469900  
sales@pramahikvision.com

**Hikvision Italy**  
T +39-0438-6902  
info.it@hikvision.com

**Hikvision France**  
T +33(0)1-85-330-444  
info.fr@hikvision.com

**Hikvision Spain**  
T +34-91-737-16-55  
info.es@hikvision.com

**Hikvision Poland**  
T +48-22-460-01-50  
poland@hikvision.com

**Hikvision UK**  
T +44-1628-9021-4  
support.uk@hikvision.com

**Hikvision Singapore**  
T +65-6684-4718  
sg@hikvision.com

**Hikvision Oceania**  
T +61-2-8599-4233  
salesau@hikvision.com

**Hikvision Hong Kong**  
T +852-2151-1761

**Hikvision Canada**  
T +1-909-895-0400  
sales.usa@hikvision.com