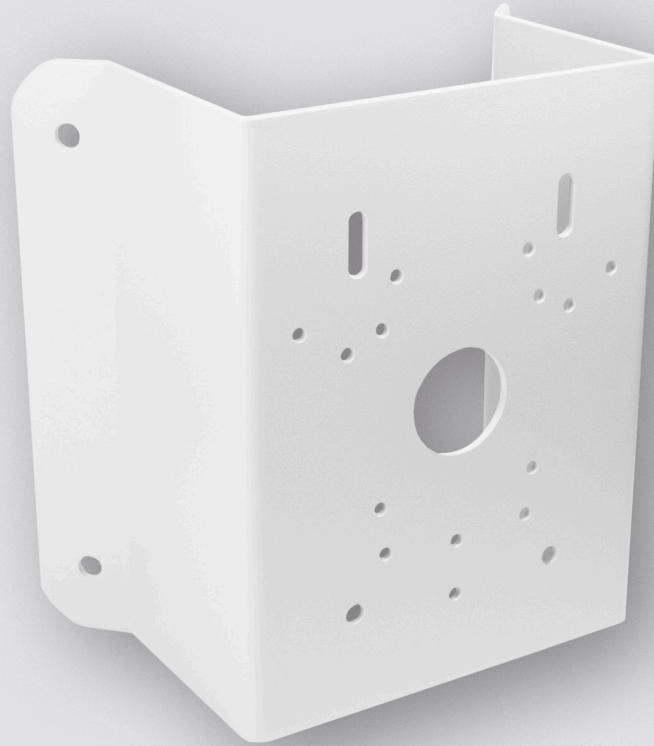


WIPMPCM

MULTI-PURPOSE BRACKET

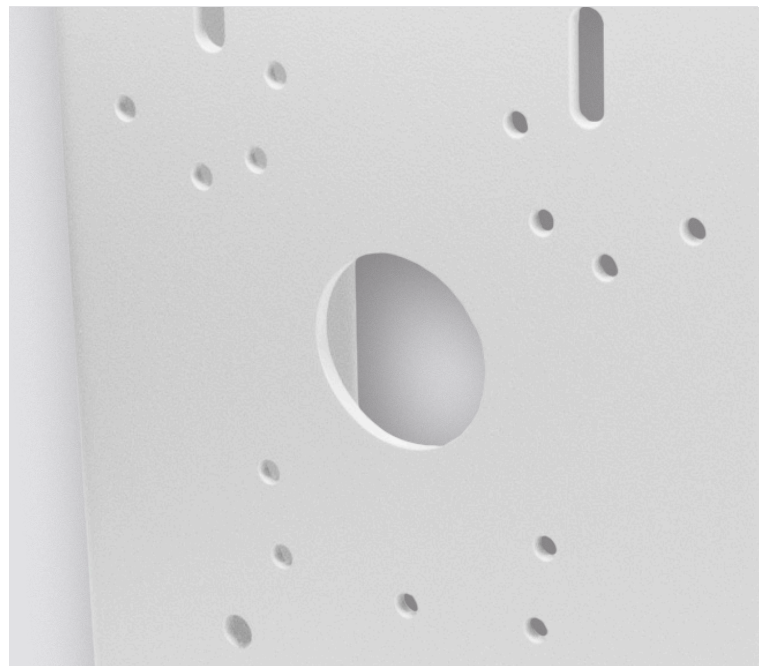
Multi-Purpose Corner Mount Bracket



Key Features

- SPCC material with surface spray treatment
- Corner mount bracket

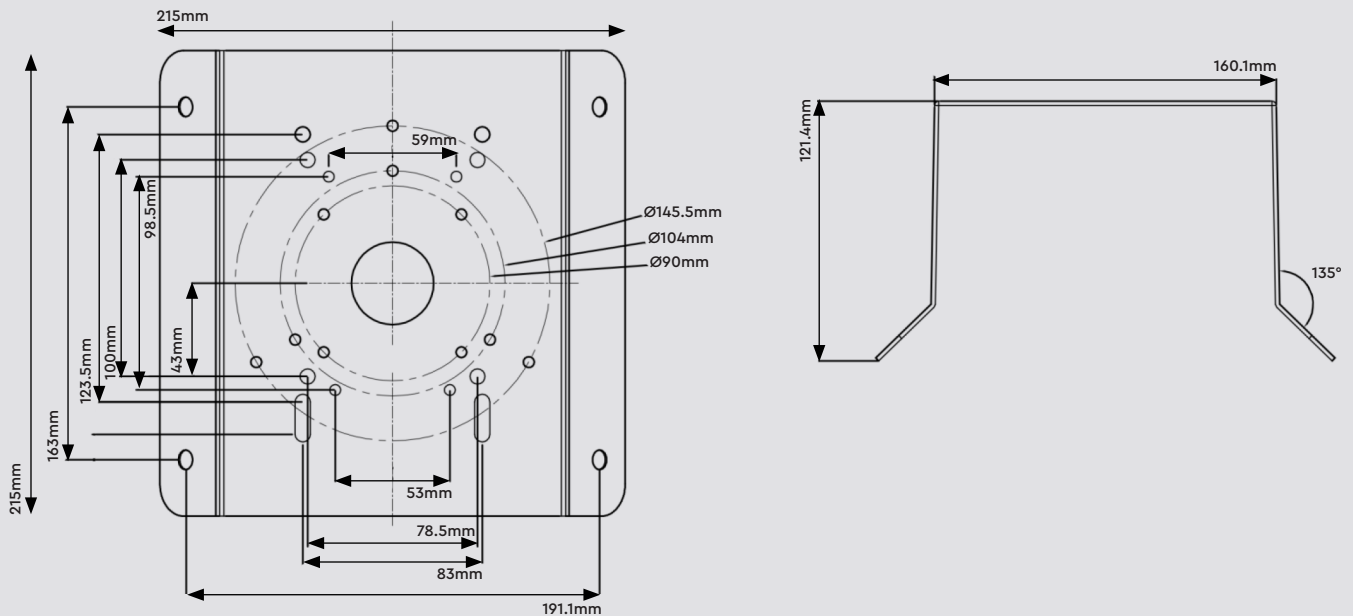
The Genie **WIPMPCM** is a multi-purpose corner mount bracket that can be used with **WIPSJB** and **WIPJBBV** junction boxes as well as **WIPSWM**, **WIPMPWB** and **WBVDVWP** brackets.



Specification

Material	Aluminium alloy
Colour	White
Working Temperature	-40°C ~ +60°C (-40°F ~ +140°F)
Working Humidity	10% ~ 90%
Load Bearing	The wall must be strong enough to withstand at least 3 times the weight of the camera and bracket.
Dimensions	121.4 × 215 mm
Weight	2050g

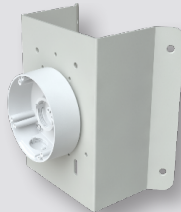
Dimensions



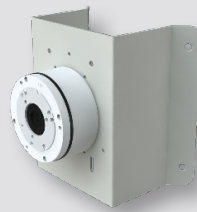
Product Images



WIPPCM + WIPSJB + WIP Camera



WIPPCM + WIPJBBV



WIPSWM + WIPJBBV



WIPPCM + WBVDVWP